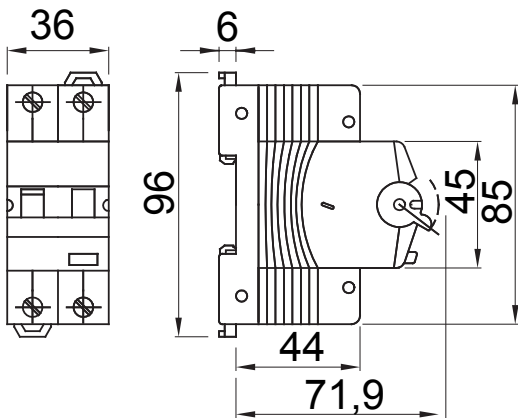




|   |                                  |
|---|----------------------------------|
| Description                               | RCCB WITH OVERCURRENT PROTECTION |
| Code                                      | MDC 100                          |
| No. of poles                              | 2P                               |
| No. modules                               | 2                                |
| Rated current                             | 20 A                             |
| Rated residual operating current          | 300 mA                           |
| Type                                      | A                                |
| Curve                                     | C                                |
| Rated voltage (IEC/EN 61009-1, 61009-2-1) | 230/240 V                        |
| Energy limiting class                     | 3                                |

|   |   |  |   |
|---|---|--|---|
| Standard                                    | IEC/EN 61009-1, IEC/EN 61009-2-1              | Rated frequency (Hz)                   | 50/60 Hz                                      |
| Breaking capacity IEC/EN 61009-1 230V (Icn) | 10000 A                                       | Breaking capacity IEC/EN 61009-1 (Ics) | 0.75 x Icn                                    |
| Breaking capacity IEC/EN 60947-2 230V (Icu) | 15 kA   | Breaking capacity IEC/EN 60947-2 (Ics) | 50% Icu                                       |
| Insulation voltage (Ui)                     | 500 V   | Level of immunity (8/20 μs)            | 250 A   |
| Rated impulse withstand voltage (Uimp)      | 4 kV  | Overvoltage category                   | III   |
| Electrical endurance                        | 10.000  | Mechanical endurance                   | 20.000  |
| Section rigid cable                         | <=1x35 - <=2x16 - <=1x16+2x10 mm <sup>2</sup> | Section flexible cable                 | <=1x35 - <=2x16 - <=1x16+2x10 mm <sup>2</sup> |
| Double connection                           | YES (only down stream)                        | Rated tightening torque                | 2 Nm  |
| Operating temperature                       | -25 +60° C (derating of In with T>30° C)      | Stocking temperature                   | -40 +70 °C                                    |
| Auxiliaries compatibility                   | Yes   | ReStart compatibility                  | Yes   |
| Assembly position                           | Any   |  |   |

### DIMENSIONAL



### WIRING DIAGRAM



### STANDARDS/APPROVALS

