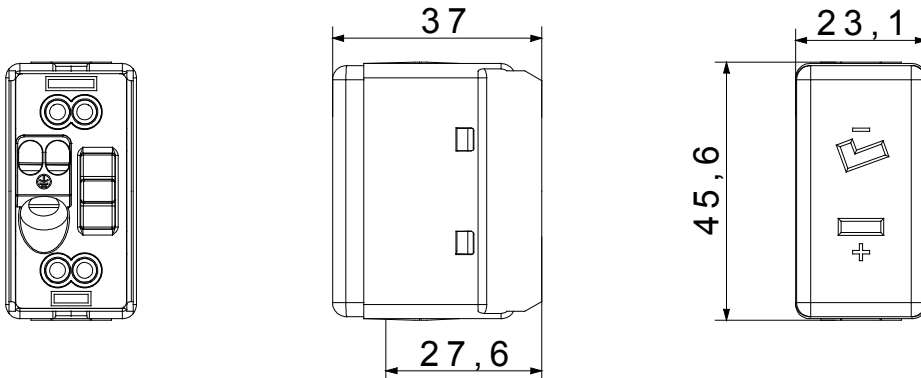




The System modular devices make it possible to create infinite combination between devices and plates, thanks to a complete range that is able to satisfy all design, functional and installation requirements. Colour and finiture: glossy white, bright and versatile
The range includes commands, socket- outlets, protection, indicators, connectors and devices for the control, safety and comfort of your home.

Category	-	Description	2P - 6A - 24V polarized
For plug pins	Flat	Centre distance	12.4 mm
Thermo-pressure with ball	125 °C	Glow Wire Test	850 °C
Terminal tightening capacity stranded cables (mm ²)	min. 0,75 - max. 2x4	Terminal tightening capacity solid cables (mm ²)	min. 0,5 - max. 2x2,5
Colour	White	No. SYSTEM modules	1
Cable fixing	With screw	Material	Technopolymer
Electrocod	0131		

DIMENSIONAL



TECHNICAL SYMBOLOGY



STANDARDS/APPROVALS

