

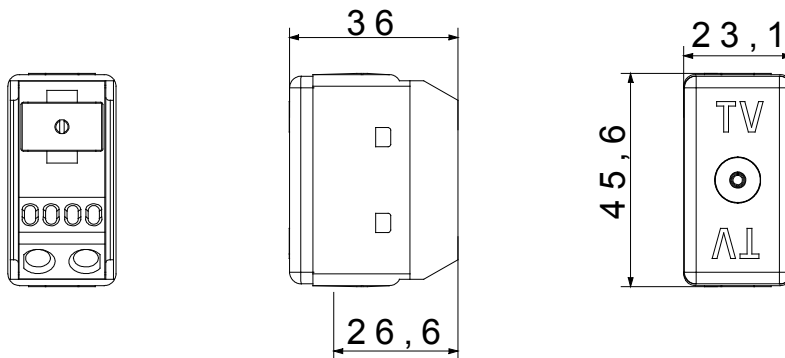


The System modular devices allow the creation of infinite combinations of devices and plates, through a complete range that covers all design, functional and installation needs. Colours and finishes: glossy white, elegant and classy. The range includes control units, socket-outlets, breakers, indicators, connectors and devices for the control, safety and comfort of your home.

Item designated solely for export to a limited number of countries outside of the European Union or where European Directives are not applied.

Category	TV socket-outlet	Description	Terminated - 75 ohm
Type	-	Colour	White
Attenuation	20 dB	Frequency	40-860 MHz
Shielding	-	For connector type	IEC Female Ø 9,5 mm
Standard	-	No. SYSTEM modules	1
Cable fixing	With screw	Case	-
Material	Technopolymer	Electrocod	0131

DIMENSIONAL



STANDARDS/APPROVALS

