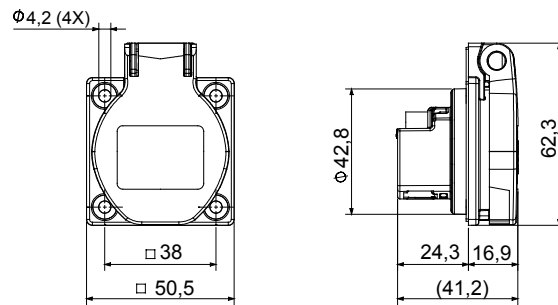


Flanş boyutları (mm)	50x50	Tip	Panjurlu sıva altı montaj prizi
Bilyeli termo sıcaklık	125 °C (active parts) - 70 °C (passive parts)	IP derecesi	IP54
Kutup adedi	2P+T	Frekans	50/60 Hz
Terminal sıkıştırma kapasitesi	1x1,5 - 2x2,5 mm ² flexible cables - 1x1,5 - 2x2,5 mm ² rigid cables	Çalıştırma sıcaklığı	-25 +55 °C
Kablolama tipi	Vidalı	Akkor Tel Deneyi	850 °C (aktif parçalar) - 650 °C (pasif parçalar)
Renk	Mavi	Nominal akım (A)	16
Nominal voltaj	200-250 V	Standart	Fransız

BEHAVIOUR WITH CHEMICAL AND ATMOSPHERIC AGENTS

Saline solution	Acids		Bases		Solvents				Mineral oil	UV rays
	Concentrated	Diluted	Concentrated	Diluted	Hexane	Benzol	Acetone	Alcohol		
Resistant	Not resistant	Limited resistance	Not resistant	Limited resistance	Limited resistance	Not resistant	Not resistant	Limited resistance	Limited resistance	Limited resistance

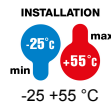
DIMENSIONAL



TECHNICAL SYMBOLOGY

IP

IP54



Vidalı

125 °C (active parts)
- 70 °C (passive parts)

850 °C (aktif parçalar) - 650 °C (pasif parçalar)

STANDARDS/APPROVALS

GEWISS S.p.A. Via Domenico Bosatelli 1
24069 Cenate Sotto - Bergamo - Italy
tel. +39 035 94 61 11 fax +39 035 94 69 09

www.gewiss.com
sat@gewiss.com
Last update 01/05/2026

Data, measures, designs and pictures are shown only as informative purposes, and could be changed without previous notice