



Wall-mounting thermostat to control heating/cooling and humidification/dehumidification systems and manage the temperature in manual mode or on 3 levels (comfort, pre-comfort, economy). Control algorithms for two-way systems: two points (ON/OFF), proportional integral (PWM). Includes 2 output contacts for heating, cooling or humidity control. Includes 1 input for external NTC temperature sensor (for room temperature measurement compensation or for underfloor heating protection). Equipped with a user interface with touch controls (capacitive) on technopolymer plate and backlit display. The thermostat has built-in proximity, temperature and humidity sensors and a Wi-Fi interface for setting parameters and programming temperature profiles (timed thermostat function) locally or remotely via specific apps (smartphone and tablet).

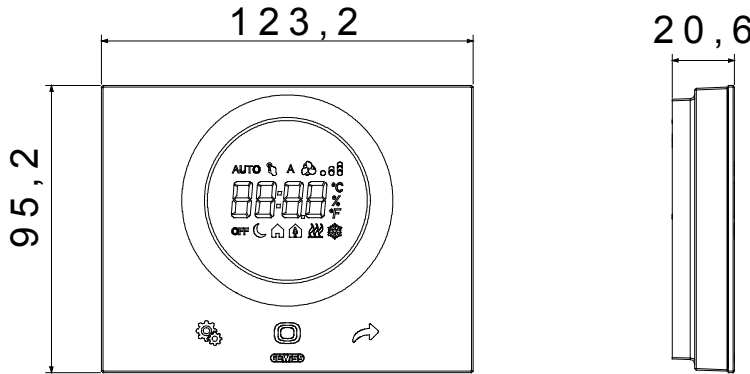
The device can be used:

- as an independent intelligent thermostat (in a stand-alone way), i.e. without the need for a Smart Home system, in this case the configuration and control of the device takes place via the "ThermoICE 2.0" APP;
- integrated into the Gewiss "Connected Smart Home" system, in this case the device can interoperate with all the other devices of the "Connected Smart Home" system and is configured and controlled together with all the other functions of the system via the "Home Gateway" APP.

Wall-mounting installation with wall-plugs or on 3-modules rectangular boxes (centre distance 83.5 mm). Equipped with front plate. Plate material: technopolymer.

Kategori	Termo Buz termostatları	iletişim	Wifi
Renk	Doğal bej	Material	Front plate in technopolymer
Montaj	Duvar montajı	Besleme ünitesi	110-230V ac - 50/60Hz
Current absorbed by power supply	< 3 W (in stand-by < 1 W)	Arayüzler	Wi-Fi 2.4GHz IEEE 802.11 b/g/n
Öçülmüş boyutlar	Temperature, humidity, one additional input for external NTC temperature sensor	Çıkış kanalı sayısı	2 NO potential free
Çıkış kontakları	Max switching current at 250Vac: 6A (cosΦ = 1); 1,5A (cosΦ = 0,6)	Giriş kanalı sayısı	1 for external NTC sensor (type: NTC 10K, es. GW 10 800)
Giriş voltajı	-	Kablolama terminalleri	Vidalı
Terminal sıkıştırma kapasitesi esnek kablolar (mm²)	Max 1,5 mm²	Terminal sıkıştırma kapasitesi sert kablolar (mm²)	Max 1,5 mm²
Kullanım sıcaklığı	-5 ÷ +45 °C	Bağıl nem (yoğuşmasız)	Maks %93
Depolama sıcaklığı	-25 ÷ +70 °C	Boyutlar LxHxD (mm)	123,2x95,2x20,6
IP derecesi	IP20	Standart	Directive RoHS 2011/65/EU + 2015/863 Directive RED 2014/53/EU EN 60730-2-9; EN 60730-2-7; EN 60730-1; EN 301 489-1; EN 301 489-17; EN 300 328; EN IEC 63000

DIMENSIONAL



TECHNICAL SYMBOLOGY

IP

IP20

STANDARDS/APPROVALS

