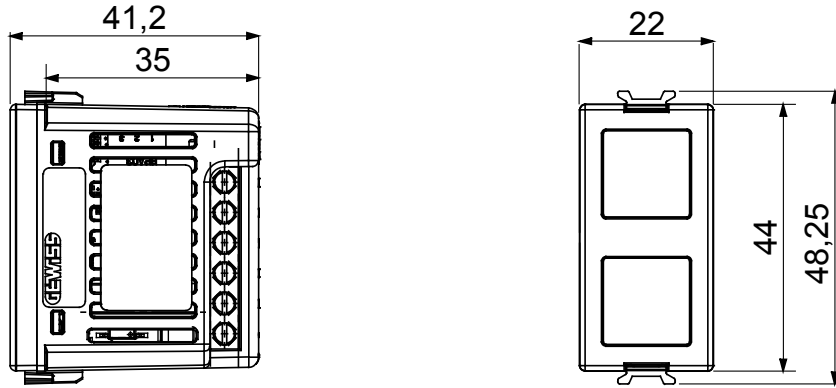


Flush-mounting roller shutter touch module. Device for commanding the motor that drives roller shutters, curtains, Venetian blinds, roller blinds, etc. via 2 interlocked output contacts with potential. There are two frontal touch areas for upward (UP) and downward (DOWN) movement, and for regulating the tilt of the slats. The device must be completed with one of the ICE Touch plates available. Inside the package of the plates is a sheet of interchangeable icons to customize the control symbol. The device has n°3 DIP-switches, located on the back of the device, for feature configuration.

Tanım	Touch roller-shutter module	Besleme ünitesi	100 ÷ 240 V ac - 50/60 Hz
Modül sayısı	1	Giriş kanalı sayısı	2
Yerel kontrol	Via 2 frontal touch areas (must be completed with ICE Touch plate)	Auxiliary input channel voltage	100 ÷ 240 V ac - 50/60 Hz
Depolama sıcaklığı	-25 ÷ +70 °C	Çıkış kanalı kanallar	2
Kullanım sıcaklığı	-5 ÷ +45 °C	Çıkış kontaktları	n. 2 x 2,3 A cosφ 0,6
Bağıl nem (yoğuşmasız)	Maks %93	240 V ac Incandescent-halogen lamps	-
Front light signaling	Mavi led	240 V ac LED lamps	-
Kablolama terminalleri	Vidalı	Loads piloted from electronic transf. 240 V ac	-
Terminal sıkıştırma kapasitesi esnek kablolar (mm²)	Maks. 1,5	240 V Floresan lambalar	-
Terminal sıkıştırma kapasitesi sert kablolar (mm²)	Maks. 1,5	Yükleme kontrolü	-
Bağlam	Dry indoor places	Acoustic signalling element	Buzzer
IP derecesi	IP20 (with plate fitted)	Standart	2014/35/EU (LVD), 2014/30/EU (EMC), 2011/65/EU + 2015/863 (RoHS), EN 60669-2-1, EN 60669-1, EN IEC 63000

DIMENSIONAL



TECHNICAL SYMBOLOGY

IP

IP20 (with plate fitted)

STANDARDS/APPROVALS

