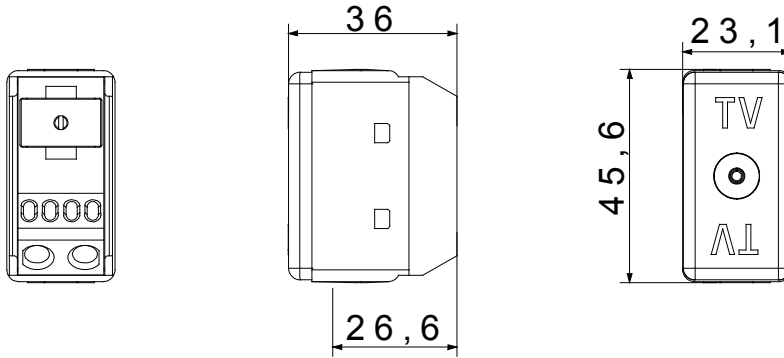




The System modular devices allow the creation of infinite combinations of devices and plates, through a complete range that covers all design, functional and installation needs. Colours and finishes: glossy white, elegant and classy. The range includes control units, socket-outlets, breakers, indicators, connectors and devices for the control, safety and comfort of your home.  
Item designated solely for export to a limited number of countries outside of the European Union or where European Directives are not applied.

Kategori	TV prizi	Tanım	Dallı
Tipi	-	Renk	Beyaz
Hafifletme	20 dB	Frekans	40-860 MHz
Koruma	-	Konektör için tipi	IEC Female Ø 9,5 mm
Standart	-	SYSTEM modül sayısı	1
Kablo sabitleme	Vidalı	Muhafaza	-
Material	Teknopolimer	Elektrokod	0131

### DIMENSIONAL



### STANDARDS/APPROVALS

