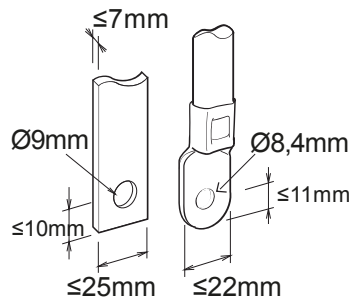




Descriere Interruttore automatico scatolato  
 Cod MSXE 160  
 Nr. poli 3P  
 Curent nominal 160 A  
 Eliberare Cutie

ELECTRICAL CHARACTERISTICS		- MECHANICAL CHARACTERISTICS	
Standard	IEC/EN 60947-2	Executare	Fixed - Plug-in
Categoria de utilizare	A	DIN rail mounting	Nu
Frecvență nominală (Hz)	50 / 60	Can be equipped with motor operator	Yes
Rated operating voltage (Ue)	690 Vac	Compatible interlock	Lever – Cable
Tensiune nominală de rezistență la impulsuri (Uimp)	8 kV	Terminals supplied	Front FC
Categorie supratensiune	IV	Poziția de asamblare	Orice
Tensiune de izolare (Ui)	800 V	Upline/downline power supply	Yes
Thermal regulation	0,4 - 0,5 - 0,63 - 0,8 - 0,9 - 0,95 - 1 x In	Electrical life (415Vac)	10.000 cycles
Magnetic regulation	Electronic LSI	Mechanical life	30.000 cycles
Neutral protection	-	Temperatură de funcționare	-5°C +65°C
Total power loss	26.88 W	Temperatura de stocare	-20° +65°
Rated short-circuit current making capacity (Icm)	-	Greutate (kg)	2.3
Rated short-time withstand current for 0,3s (Icw)	-	Lățime	105 mm
I <sub>dn</sub> regulation	-	Înălțime	165 mm
DT regulation	-	Adâncime	103 mm
SERVICE BREAKING CAPACITY (ICU)		- RATED BREAKING CAPACITIY (ICS)	
220/240Vac	85 kA	220/240Vac	85 kA
400/415Vac	65 kA	400/415Vac	36 kA
440Vac	50 kA	440Vac	25 kA
525Vac	25 kA	525Vac	25 kA
690Vac	7,5 kA	690Vac	7,5 kA
250Vdc	-	250Vdc	-

### DIMENSIONAL





Product Data Sheet

GWD9337

Gama MSX

STANDARDS/APPROVALS

