



Descriere Interruttore automatico scatolato

Cod MSX 160

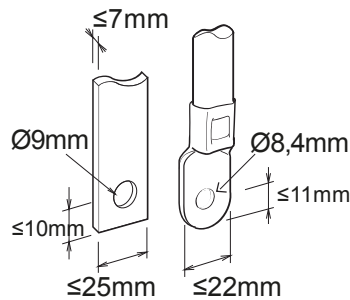
Nr. poli 3P

Curent nominal 160 A

Eliberare Electromechanic

ELECTRICAL CHARACTERISTICS		MECHANICAL CHARACTERISTICS	
Standard	IEC/EN 60947-2	Executare	Fixed - Plug-in
Categoria de utilizare	A	DIN rail mounting	Yes, by means of accessory
Frecvență nominală (Hz)	50 / 60	Can be equipped with motor operator	Yes
Rated operating voltage (Ue)	690 Vac - 250 Vdc	Compatible interlock	Lever – Cable
Tensiune nominală de rezistență la impulsuri (Uimp)	8 kV	Terminals supplied	Front FC
Categorie supratensiune	IV	Poziția de asamblare	Orice
Tensiune de izolare (Ui)	800 V	Upline/downline power supply	Yes
Thermal regulation	0,63 - 0,8 - 1 x In	Electrical life (415Vac)	20.000 cycles
Magnetic regulation	6 - 8 - 10 - 13 x In	Mechanical life	30.000 cycles
Neutral protection	-	Temperatură de funcționare	-5°C +65°C
Total power loss	36.09 W	Temperatura de stocare	-20° +65°
Rated short-circuit current making capacity (Icm)	-	Greutate (kg)	1.5
Rated short-time withstand current for 0,3s (Icw)	-	Lățime	105 mm
I _{dn} regulation	-	Înălțime	165 mm
DT regulation	-	Adâncime	68 mm
SERVICE BREAKING CAPACITY (ICU)	-	RATED BREAKING CAPACITY (ICS)	-
220/240Vac	65 kA	220/240Vac	65 kA
400/415Vac	36 kA	400/415Vac	36 kA
440Vac	25 kA	440Vac	25 kA
525Vac	25 kA	525Vac	25 kA
690Vac	7,5 kA	690Vac	7,5 kA
250Vdc	40 kA	250Vdc	40 kA

DIMENSIONAL





Product Data Sheet

GWD9127

Gama MSX

STANDARDS/APPROVALS

