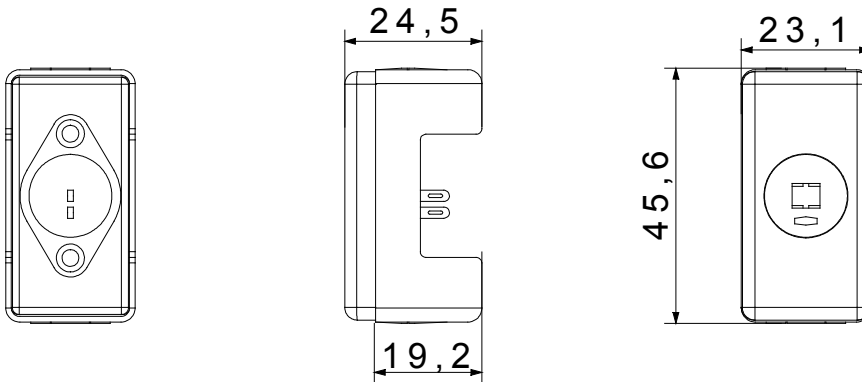




The System modular devices allow the creation of infinite combinations of devices and plates, through a complete range that covers all design, functional and installation needs. Colours and finishes: satin black, elegant and classy. The range includes control units, socket-outlets, breakers, indicators, connectors and devices for the control, safety and comfort of your home.

<b>Categorie</b>	-	<b>Descriere</b>	<b>Pentru difuzor</b>
<b>Pentru știfturi de conectare</b>	-	<b>DISTANȚĂ CENTRU 57</b>	<b>0 mm</b>
<b>Termo-presiune cu bilă</b>	-	<b>Test de încercare cu fir incandescent</b>	<b>0 °C</b>
<b>Capacitate de strângere borne cabluri torsadate (mm<sup>2</sup>)</b>	-	<b>Capacitate de strângere a bornelor cabluri solide (mm<sup>2</sup>)</b>	<b>-</b>
<b>Culoare</b>	<b>Negru</b>	<b>Nr. Module DE SISTEM</b>	<b>1</b>
<b>Fixare cablu</b>	<b>Conținut</b>	<b>Carcasă</b>	<b>Turnare sub presiune corp metalic zamak</b>
<b>Material</b>	<b>Tehnopolimer</b>	<b>Electrocod</b>	<b>0131</b>

### DIMENSIONAL



### TECHNICAL SYMBOLOGY



### STANDARDS/APPROVALS

