



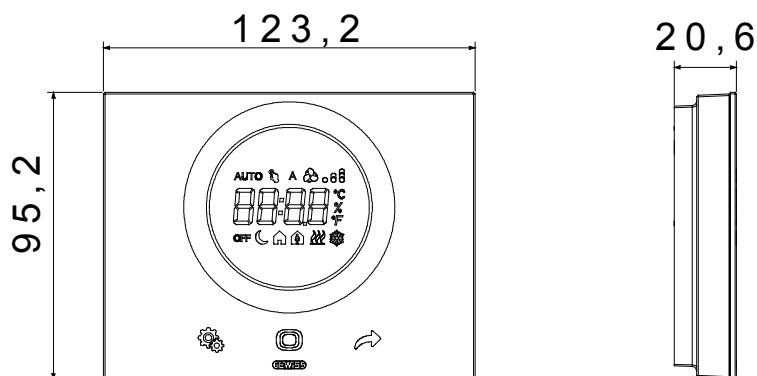
Wall-mounting thermostat to control heating/cooling and humidification/dehumidification systems on the BUS and manage the temperature in manual mode or on 3 levels (comfort, pre-comfort, economy). Control algorithms for 2- or 4-way systems: two points (ON/OFF or 0%-100%), proportional-integral (PWM or continuous adjustment), fan coil (max. 3 speeds or with continuous adjustment 0%-100%). Includes 1 input for external NTC temperature sensor (for room temperature measurement compensation or for underfloor heating protection).

Equipped with a user interface with touch commands (capacitive) on technopolymer plate and backlit display. The thermostat has built-in proximity, temperature and humidity sensors. The device supports KNX Secure. To be configured with ETS software. The thermostat can be combined with KNX flush-mounting timed thermostats or Smart Gateway for local temperature adjustment: in this case, the thermostat acts as a slave by executing the temperature sent by the master. Available a "hotel" operating mode with simplified functionalities and user interface for hotel applications.

Equipped with front plate and with coupling terminal for connection to bus. Wall fixing with wall plugs or screw fixing on rectangular 3 modules boxes (centre distance 83.5 mm). Plate material: technopolymer.

Categorie	Thermo ICE KNX wall mounting thermostat	Comunication	KNX Secure
Culoare	Negru	Material	Front plate in technopolymer
Instalare	Consolă de montare pe perete	Alimentare electrică	230V AC - 50/60Hz
Current absorbed by power supply	< 3 W (in stand-by < 1 W)	Interfețe	KNX TP1
Current absorbed by KNX bus (mA)	10	Dimensiuni măsurate	Temperature, humidity, one additional input for external NTC temperature sensor
Nr. canale de intrare	1 for external NTC sensor (type: NTC 10K, es. GW 10 800)	Tensiune de intrare	-
Borne de cablare	Conținut	Capacitate de strângere borne cabluri torsadate (mm ²)	Max 1,5 mm ²
Capacitate de strângere a bornelor cabluri solide (mm ²)	Max 1,5 mm ²	Temperatura de lucru	-5 ÷ +45 °C
Umiditate relativă (necondensată)	Max. 93%	Temperatura de stocare	-25 ÷ +70 °C
Connection to the KNX bus	KNX bus terminal	Dimensiuni LxHxD (mm)	123,2x95,2x20,6
Grad IP	IP20	Standard	Low Voltage Directive 2014/35/EU (LVD) Electromagnetic Compatibility Directive 2014/30/EU (EMC) Directive RoHS 2011/65/EU Directive ERP 2009/125/EU EN 60730-1, EN 60730-2-9

DIMENSIONAL



TECHNICAL SYMBOLOGY

IP

IP20

STANDARDS/APPROVALS

