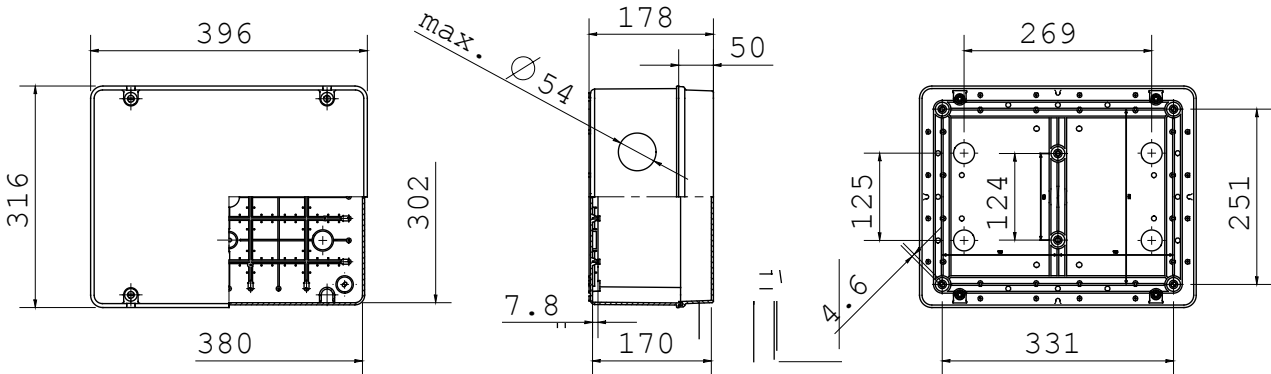


ובתקן EN 60670-1 (CEI 23-48) ו-EN 60670-22 (CEI 23-94) קופסאות הסתעפות אטומות למים להתקנה על טיח העומדות בתקן - 44 CE קו המוצרים IP44, ועשויות מטכנו-פולימר בעל ביצועים גבוהים. קו המוצרים כולל גרסאות עם דרגות הגנה IP55, IP56, IP57, IP65, IP66, IP67, IP68, IP69K, IP69L, IP69M, IP69N, IP69P, IP69Q, IP69R, IP69S, IP69T, IP69U, IP69V, IP69W, IP69X, IP69Y, IP69Z, IP69AA, IP69AB, IP69AC, IP69AD, IP69AE, IP69AF, IP69AG, IP69AH, IP69AI, IP69AJ, IP69AK, IP69AL, IP69AM, IP69AN, IP69AO, IP69AP, IP69AQ, IP69AR, IP69AS, IP69AT, IP69AU, IP69AV, IP69AW, IP69AX, IP69AY, IP69AZ, IP69BA, IP69BB, IP69BC, IP69BD, IP69BE, IP69BF, IP69BG, IP69BH, IP69BI, IP69BJ, IP69BK, IP69BL, IP69BM, IP69BN, IP69BO, IP69BP, IP69BQ, IP69BR, IP69BS, IP69BT, IP69BU, IP69BV, IP69BW, IP69BX, IP69BY, IP69BZ, IP69CA, IP69CB, IP69CC, IP69CD, IP69CE, IP69CF, IP69CG, IP69CH, IP69CI, IP69CJ, IP69CK, IP69CL, IP69CM, IP69CN, IP69CO, IP69CP, IP69CQ, IP69CR, IP69CS, IP69CT, IP69CU, IP69CV, IP69CW, IP69CX, IP69CY, IP69CZ, IP69DA, IP69DB, IP69DC, IP69DD, IP69DE, IP69DF, IP69DG, IP69DH, IP69DI, IP69DJ, IP69DK, IP69DL, IP69DM, IP69DN, IP69DO, IP69DP, IP69DQ, IP69DR, IP69DS, IP69DT, IP69DU, IP69DV, IP69DW, IP69DX, IP69DY, IP69DZ, IP69EA, IP69EB, IP69EC, IP69ED, IP69EE, IP69EF, IP69EG, IP69EH, IP69EI, IP69EJ, IP69EK, IP69EL, IP69EM, IP69EN, IP69EO, IP69EP, IP69EQ, IP69ER, IP69ES, IP69ET, IP69EU, IP69EV, IP69EW, IP69EX, IP69EY, IP69EZ, IP69FA, IP69FB, IP69FC, IP69FD, IP69FE, IP69FF, IP69FG, IP69FH, IP69FI, IP69FJ, IP69FK, IP69FL, IP69FM, IP69FN, IP69FO, IP69FP, IP69FQ, IP69FR, IP69FS, IP69FT, IP69FU, IP69FV, IP69FW, IP69FX, IP69FY, IP69FZ, IP69GA, IP69GB, IP69GC, IP69GD, IP69GE, IP69GF, IP69GG, IP69GH, IP69GI, IP69GJ, IP69GK, IP69GL, IP69GM, IP69GN, IP69GO, IP69GP, IP69GQ, IP69GR, IP69GS, IP69GT, IP69GU, IP69GV, IP69GW, IP69GX, IP69GY, IP69GZ, IP69HA, IP69HB, IP69HC, IP69HD, IP69HE, IP69HF, IP69HG, IP69HH, IP69HI, IP69HJ, IP69HK, IP69HL, IP69HM, IP69HN, IP69HO, IP69HP, IP69HQ, IP69HR, IP69HS, IP69HT, IP69HU, IP69HV, IP69HW, IP69HX, IP69HY, IP69HZ, IP69IA, IP69IB, IP69IC, IP69ID, IP69IE, IP69IF, IP69IG, IP69IH, IP69II, IP69IJ, IP69IK, IP69IL, IP69IM, IP69IN, IP69IO, IP69IP, IP69IQ, IP69IR, IP69IS, IP69IT, IP69IU, IP69IV, IP69IW, IP69IX, IP69IY, IP69IZ, IP69JA, IP69JB, IP69JC, IP69JD, IP69JE, IP69JF, IP69JG, IP69JH, IP69JI, IP69JJ, IP69JK, IP69JL, IP69JM, IP69JN, IP69JO, IP69JP, IP69JQ, IP69JR, IP69JS, IP69JT, IP69JU, IP69JV, IP69JW, IP69JX, IP69JY, IP69JZ, IP69KA, IP69KB, IP69KC, IP69KD, IP69KE, IP69KF, IP69KG, IP69KH, IP69KI, IP69KJ, IP69KK, IP69KL, IP69KM, IP69KN, IP69KO, IP69KP, IP69KQ, IP69KR, IP69KS, IP69KT, IP69KU, IP69KV, IP69KW, IP69KX, IP69KY, IP69KZ, IP69LA, IP69LB, IP69LC, IP69LD, IP69LE, IP69LF, IP69LG, IP69LH, IP69LI, IP69LJ, IP69LK, IP69LL, IP69LM, IP69LN, IP69LO, IP69LP, IP69LQ, IP69LR, IP69LS, IP69LT, IP69LU, IP69LV, IP69LW, IP69LX, IP69LY, IP69LZ, IP69MA, IP69MB, IP69MC, IP69MD, IP69ME, IP69MF, IP69MG, IP69MH, IP69MI, IP69MJ, IP69MK, IP69ML, IP69MM, IP69MN, IP69MO, IP69MP, IP69MQ, IP69MR, IP69MS, IP69MT, IP69MU, IP69MV, IP69MW, IP69MX, IP69MY, IP69MZ, IP69NA, IP69NB, IP69NC, IP69ND, IP69NE, IP69NF, IP69NG, IP69NH, IP69NI, IP69NJ, IP69NK, IP69NL, IP69NM, IP69NN, IP69NO, IP69NP, IP69NQ, IP69NR, IP69NS, IP69NT, IP69NU, IP69NV, IP69NW, IP69NX, IP69NY, IP69NZ, IP69OA, IP69OB, IP69OC, IP69OD, IP69OE, IP69OF, IP69OG, IP69OH, IP69OI, IP69OJ, IP69OK, IP69OL, IP69OM, IP69ON, IP69OO, IP69OP, IP69OQ, IP69OR, IP69OS, IP69OT, IP69OU, IP69OV, IP69OW, IP69OX, IP69OY, IP69OZ, IP69PA, IP69PB, IP69PC, IP69PD, IP69PE, IP69PF, IP69PG, IP69PH, IP69PI, IP69PJ, IP69PK, IP69PL, IP69PM, IP69PN, IP69PO, IP69PP, IP69PQ, IP69PR, IP69PS, IP69PT, IP69PU, IP69PV, IP69PW, IP69PX, IP69PY, IP69PZ, IP69QA, IP69QB, IP69QC, IP69QD, IP69QE, IP69QF, IP69QG, IP69QH, IP69QI, IP69QJ, IP69QK, IP69QL, IP69QM, IP69QN, IP69QO, IP69QP, IP69QQ, IP69QR, IP69QS, IP69QT, IP69QU, IP69QV, IP69QW, IP69QX, IP69QY, IP69QZ, IP69RA, IP69RB, IP69RC, IP69RD, IP69RE, IP69RF, IP69RG, IP69RH, IP69RI, IP69RJ, IP69RK, IP69RL, IP69RM, IP69RN, IP69RO, IP69RP, IP69RQ, IP69RR, IP69RS, IP69RT, IP69RU, IP69RV, IP69RW, IP69RX, IP69RY, IP69RZ, IP69SA, IP69SB, IP69SC, IP69SD, IP69SE, IP69SF, IP69SG, IP69SH, IP69SI, IP69SJ, IP69SK, IP69SL, IP69SM, IP69SN, IP69SO, IP69SP, IP69SQ, IP69SR, IP69SS, IP69ST, IP69SU, IP69SV, IP69SW, IP69SX, IP69SY, IP69SZ, IP69TA, IP69TB, IP69TC, IP69TD, IP69TE, IP69TF, IP69TG, IP69TH, IP69TI, IP69TJ, IP69TK, IP69TL, IP69TM, IP69TN, IP69TO, IP69TP, IP69TQ, IP69TR, IP69TS, IP69TT, IP69TU, IP69TV, IP69TW, IP69TX, IP69TY, IP69TZ, IP69UA, IP69UB, IP69UC, IP69UD, IP69UE, IP69UF, IP69UG, IP69UH, IP69UI, IP69UJ, IP69UK, IP69UL, IP69UM, IP69UN, IP69UO, IP69UP, IP69UQ, IP69UR, IP69US, IP69UT, IP69UU, IP69UV, IP69UW, IP69UX, IP69UY, IP69UZ, IP69VA, IP69VB, IP69VC, IP69VD, IP69VE, IP69VF, IP69VG, IP69VH, IP69VI, IP69VJ, IP69VK, IP69VL, IP69VM, IP69VN, IP69VO, IP69VP, IP69VQ, IP69VR, IP69VS, IP69VT, IP69VU, IP69VV, IP69VW, IP69VX, IP69VY, IP69VZ, IP69WA, IP69WB, IP69WC, IP69WD, IP69WE, IP69WF, IP69WG, IP69WH, IP69WI, IP69WJ, IP69WK, IP69WL, IP69WM, IP69WN, IP69WO, IP69WP, IP69WQ, IP69WR, IP69WS, IP69WT, IP69WU, IP69WV, IP69WW, IP69WX, IP69WY, IP69WZ, IP69XA, IP69XB, IP69XC, IP69XD, IP69XE, IP69XF, IP69XG, IP69XH, IP69XI, IP69XJ, IP69XK, IP69XL, IP69XM, IP69XN, IP69XO, IP69XP, IP69XQ, IP69XR, IP69XS, IP69XT, IP69XU, IP69XV, IP69XW, IP69XX, IP69XY, IP69XZ, IP69YA, IP69YB, IP69YC, IP69YD, IP69YE, IP69YF, IP69YG, IP69YH, IP69YI, IP69YJ, IP69YK, IP69YL, IP69YM, IP69YN, IP69YO, IP69YP, IP69YQ, IP69YR, IP69YS, IP69YT, IP69YU, IP69YV, IP69YW, IP69YX, IP69YY, IP69YZ, IP69ZA, IP69ZB, IP69ZC, IP69ZD, IP69ZE, IP69ZF, IP69ZG, IP69ZH, IP69ZI, IP69ZJ, IP69ZK, IP69ZL, IP69ZM, IP69ZN, IP69ZO, IP69ZP, IP69ZQ, IP69ZR, IP69ZS, IP69ZT, IP69ZU, IP69ZV, IP69ZW, IP69ZX, IP69ZY, IP69ZZ

class בידוד	II (לפי תקן IEC 61140)	צבע	RAL 7035 אפור
IP	IP56	חומר	טכנו-פולימר GWPLAST 75
דרגה			
זעזוע התנגדות	IK08	גובה אפקטיבי לתחתית	119 מ"מ
עומק גובה קוטר פנימי אורך (מ"מ)	380x300x170	קוטר מרבי של חורים אפשרי	54 mm
מס' יסוג בורגי מכסה	מבודדים עם ציר ניתנים לאטימה 4	יישום	הסתעפויות רגילות
בדיקת תיל לוחט	650 °C	צבע מכסה	שקוף
מכסה	שטוח מוברג	טמפרטורת הפעלה	±25 +60 °C
סוג חומר	EN 60754-2 נטול הלוגן בהתאם לתקן	קוד חשמלי	02210
לחץ תרמי עם כדור	85 °C	מומנט הידוק ברגים	1.8 Newton/Meter
סוג תחתית	קיבולת גדולה	קירות	חלק
אביזרים עבור שחזור בידוד	GW44621, GW44623		

### DIMENSIONAL



### TECHNICAL SYMBOLOGY

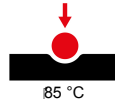


IP  
IP56

IK  
IK08

GWT  
650 °C

HF  
HALOGEN FREE  
נטול הלוגן בהתאם לתקן EN 60754-2



### STANDARDS/APPROVALS

