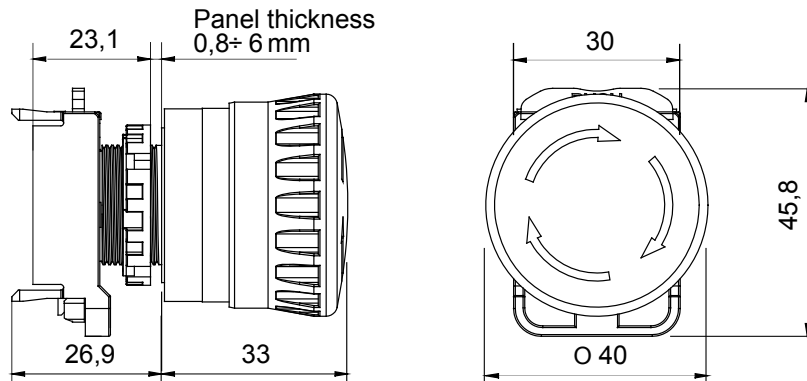




The 74 PS range is a system of push-buttons, selectors and indicators (diameter 22 mm) with a degree of protection of IP66 for creating a real interface between man and machine, whilst at the same time controlling the operating status of the drives and equipment to ensure the highest safety standards. The range includes six types of empty enclosure with between 1 and 12 gangs, and enclosures that come fitted with push-buttons and contacts.

גרסה	לוח	פונקציות	עם מחזיק
Light	מס	חומר	בידוד
סוג	לחירום	נקוב זרם (A)	10
מפסק זרם	Mushroom-head push button	IP	IP66
זעזוע התנגדות	100 m/s ²	דרגה	
טמפרטורת הסביבה	±25 +55 °C	Maximum shock resistance	1000 m/s ²
Current in DC13 (230 V)	0,55 A	Current in AC15 (230 V)	3 A
		Panel thickness	0,8 + 6 mm

DIMENSIONAL



TECHNICAL SYMBOLOGY

IP

IK

IP66

100 m/s²

STANDARDS/APPROVALS

