



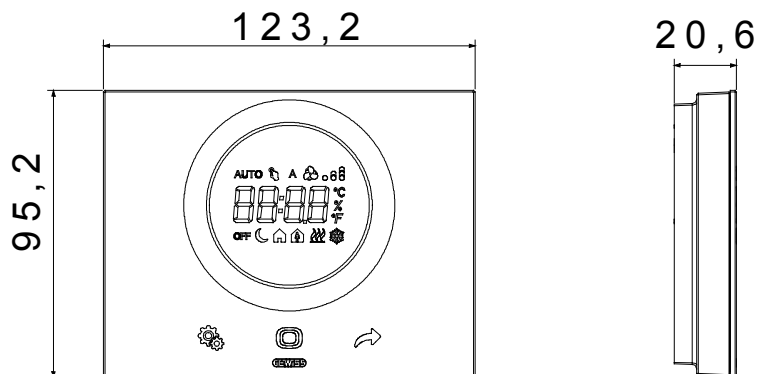
Wall-mounting thermostat to control heating/cooling and humidification/dehumidification systems on the BUS and manage the temperature in manual mode or on 3 levels (comfort, pre-comfort, economy). Control algorithms for 2- or 4-way systems: two points (ON/OFF or 0%-100%), proportional-integral (PWM or continuous adjustment), fan coil (max. 3 speeds or with continuous adjustment 0%-100%). Includes 1 input for external NTC temperature sensor (for room temperature measurement compensation or for underfloor heating protection).

Equipped with a user interface with touch commands (capacitive) on technopolymer plate and backlit display. The thermostat has built-in proximity, temperature and humidity sensors. The device supports KNX Secure. To be configured with ETS software. The thermostat can be combined with KNX flush-mounting timed thermostats or Smart Gateway for local temperature adjustment: in this case, the thermostat acts as a slave by executing the temperature sent by the master. Available a "hotel" operating mode with simplified functionalities and user interface for hotel applications.

Equipped with front plate and with coupling terminal for connection to bus. Wall fixing with wall plugs or screw fixing on rectangular 3 modules boxes (centre distance 83.5 mm). Plate material: technopolymer.

Kategória	Thermo ICE KNX wall mounting thermostat	Kommunikáció	KNX Secure
Szín	Titánium	Material	Front plate in technopolymer
Beszereles	Falra szerelés	Áramellátás	110-230V AC - 50/60 Hz
Current absorbed by power supply	< 3 W (in stand-by < 1 W)	Interfészek	KNX TP1
Current absorbed by KNX bus (mA)	10	Mért méretek	Temperature, humidity, one additional input for external NTC temperature sensor
Bemeneti csatornák száma	1 for external NTC sensor (type: NTC 10K, es. GW 10 800)	Bemeneti feszültség	-
Vezetékcsatlakozók	Csavarral	Szorító kapacitás sodrott huzalok esetén (mm <sup>2</sup> )	Max 1,5 mm <sup>2</sup>
Szorító kapacitás merev huzalok esetén (mm <sup>2</sup> )	Max 1,5 mm <sup>2</sup>	Üzemi hőmérséklet	-5 ÷ +45 °C
Relatív páratartalom (nem lecsapódó)	Max 93%	Tárolási hőmérséklet	-25 ÷ +70 °C
Connection to the KNX bus	KNX bus terminal	Méret: HxMxM (mm)	123,2x95,2x20,6
IP védetség szintje	IP20	Szabvány	Low Voltage Directive 2014/35/EU (LVD) Electromagnetic Compatibility Directive 2014/30/EU (EMC) Directive RoHS 2011/65/EU Directive ERP 2009/125/EU EN 60730-1, EN 60730-2-9

### DIMENSIONAL



### TECHNICAL SYMBOLOGY

## IP

IP20

STANDARDS/APPROVALS

