



Wall-mounting thermostat to control heating/cooling and humidification/dehumidification systems and manage the temperature in manual mode or on 3 levels (comfort, pre-comfort, economy). Control algorithms for two-way systems: two points (ON/OFF), proportional integral (PWM). Includes 2 output contacts for heating, cooling or humidity control. Includes 1 input for external NTC temperature sensor (for room temperature measurement compensation or for underfloor heating protection). Equipped with a user interface with touch controls (capacitive) on technopolymer plate and backlit display. The thermostat has built-in proximity, temperature and humidity sensors and a Wi-Fi interface for setting parameters and programming temperature profiles (timed thermostat function) locally or remotely via specific apps (smartphone and tablet).

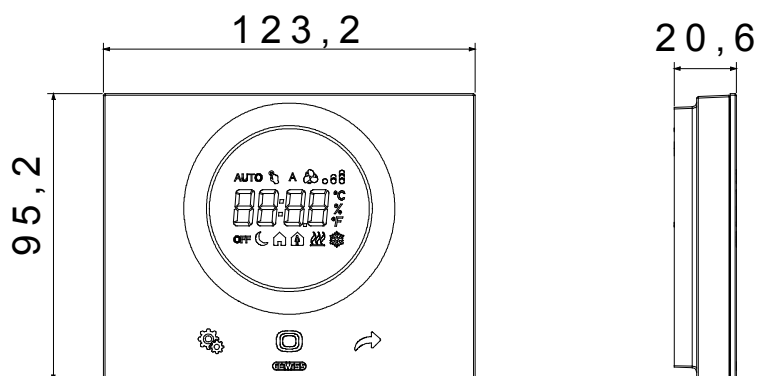
The device can be used:

- as an independent intelligent thermostat (in a stand-alone way), i.e. without the need for a Smart Home system, in this case the configuration and control of the device takes place via the "ThermoICE 2.0" APP;
- integrated into the Gewiss "Connected Smart Home" system, in this case the device can interoperate with all the other devices of the "Connected Smart Home" system and is configured and controlled together with all the other functions of the system via the "Home Gateway" APP.

Wall-mounting installation with wall-plugs or on 3-modules rectangular boxes (centre distance 83.5 mm). Equipped with front plate. Plate material: technopolymer.

Kategória	Thermo Ice termosztátok	Kommunikáció	Wifi
Szín	Szatén bézs	Material	Front plate in technopolymer
Beszereles	Falra szerelés	Áramellátás	110-230V AC - 50/60 Hz
Current absorbed by power supply	< 3 W (in stand-by < 1 W)	Interfészek	Wi-Fi 2.4GHz IEEE 802.11 b/g/n
Mért méretek	Temperature, humidity, one additional input for external NTC temperature sensor	Kimenő csatornák száma	2 NO potential free
Kimeneti érintkezők	Max switching current at 250Vac: 6A (cosΦ = 1); 1,5A (cosΦ = 0,6)	Bemeneti csatornák száma	1 for external NTC sensor (type: NTC 10K, es. GW 10 800)
Bemeneti feszültség	-	Vezetékcsatlakozók	Csavarral
Szorító kapacitás sodrott huzalok esetén (mm ²)	Max 1,5 mm ²	Szorító kapacitás merev huzalok esetén (mm ²)	Max 1,5 mm ²
Üzemi hőmérséklet	-5 ÷ +45 °C	Relatív páratartalom (nem lecsapódó)	Max 93%
Tárolási hőmérséklet	-25 ÷ +70 °C	Méretek: HxMxM (mm)	123,2x95,2x20,6
IP védettség szintje	IP20	Szabvány	Directive RoHS 2011/65/EU + 2015/863 Directive RED 2014/53/EU EN 60730-2-9; EN 60730-2-7; EN 60730-1; EN 301 489-1; EN 301 489-17; EN 300 328; EN IEC 63000

DIMENSIONAL



TECHNICAL SYMBOLOGY

IP

IP20

STANDARDS/APPROVALS

