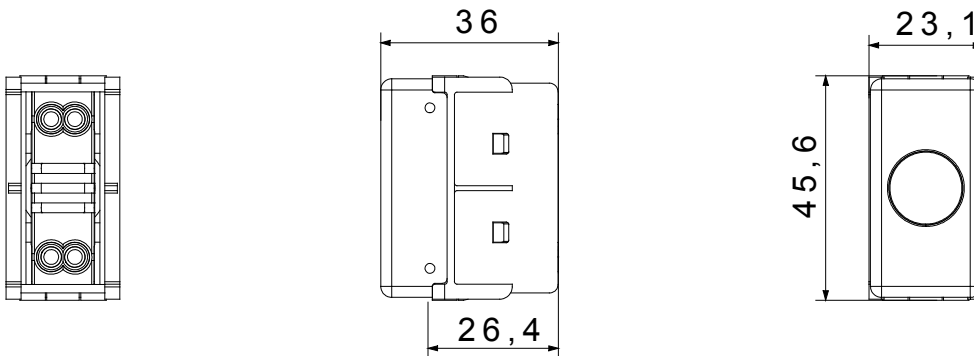




The System modular devices allow the creation of an infinite combination of devices and plates, thanks to a complete range that covers all design, functional and installation needs. Colours and finishes: bright and versatile glossy white, and elegant and classy satin black. Ideal for flush-mounted solutions (for rectangular or square boxes), surface-mounted solutions and special applications. The range includes control units, socket-outlets, breakers, indicators, connectors and devices for the control, safety and comfort of the home. The material is supplied without lamp. Compatible lamp: Cartridge lamp S6x31mm and S6.3x28mm (max 2W)

Fénykibocsátó típusa	Lapos	Fénykibocsátó színe	Sárga
Fénykibocsátó jelentése	Figyelmeztetés	Rögzítőelem lámpához	Jelzőlámpa izzó
Szabvány	EN 62094-1	Szín	Fehér
SYSTEM modulok száma	1	Anyag	Technopolimer
Elektronikai kód	0132		

DIMENSIONAL



STANDARDS/APPROVALS

