



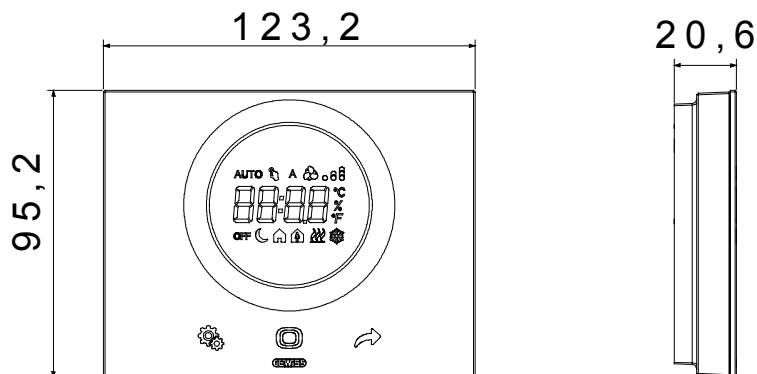
Wall-mounting thermostat to control heating/cooling and humidification/dehumidification systems on the BUS and manage the temperature in manual mode or on 3 levels (comfort, pre-comfort, economy). Control algorithms for 2- or 4-way systems: two points (ON/OFF or 0%-100%), proportional-integral (PWM or continuous adjustment), fan coil (max. 3 speeds or with continuous adjustment 0%-100%). Includes 1 input for external NTC temperature sensor (for room temperature measurement compensation or for underfloor heating protection).

Equipped with a user interface with touch commands (capacitive) on technopolymer plate and backlit display. The thermostat has built-in proximity, temperature and humidity sensors. The device supports KNX Secure. To be configured with ETS software. The thermostat can be combined with KNX flush-mounting timed thermostats or Smart Gateway for local temperature adjustment: in this case, the thermostat acts as a slave by executing the temperature sent by the master. Available a "hotel" operating mode with simplified functionalities and user interface for hotel applications.

Equipped with front plate and with coupling terminal for connection to bus. Wall fixing with wall plugs or screw fixing on rectangular 3 modules boxes (centre distance 83.5 mm). Plate material: technopolymer.

Catégorie	Thermo ICE KNX wall mounting thermostat	Communication	KNX Secure
Couleur	Titane	Material	Front plate in technopolymer
Installation	Montage mural	Alimentation	110-230V ca - 50/60Hz
Current absorbed by power supply	< 3 W (in stand-by < 1 W)	Interfaces	KNX TP1
Current absorbed by KNX bus (mA)	10	Grandeurs mesurées	Temperature, humidity, one additional input for external NTC temperature sensor
N. canaux en entrée	1 for external NTC sensor (type: NTC 10K, es. GW 10 800)	Tension des entrées	-
Bornes de câblage	À vis	Capacité de serrage des bornes câbles souples (mm ²)	Max 1,5 mm ²
Capacité de serrage des bornes câbles rigides (mm ²)	Max 1,5 mm ²	Température de fonctionn.	-5 ÷ +45 °C
Humidité relative (non condensant)	Maximum 93 %	Température de stockage	-25 ÷ +70 °C
Connection to the KNX bus	KNX bus terminal	Dimensions LxHxP (mm)	123,2x95,2x20,6
Indice de protection	IP20	Norme	Low Voltage Directive 2014/35/EU (LVD) Electromagnetic Compatibility Directive 2014/30/EU (EMC) Directive RoHS 2011/65/EU Directive ERP 2009/125/EU EN 60730-1, EN 60730-2-9

DIMENSIONS



SYMBOLE TECHNIQUE

IP

IP20

NORMES ET HOMOLOGATIONS

