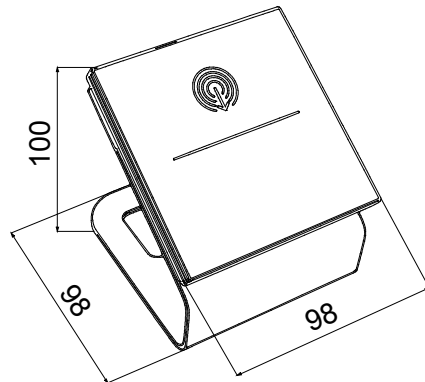




The card programmer allows the writing/reading of cards with RFID-MIFARE® transponder technology (use cards from the Gewiss catalogue). Powered directly via USB cable connected to a USB port of the card programming PC (e.g. reception). To program the cards, a client license must be installed on the PC (included in the GW Host software package). The device is supplied already installed in a table box complete with technopolymer front plate and USB cable.

|                       |  |                                  |                          |
|-----------------------|--|----------------------------------|--------------------------|
| Catégorie             | Transponder card programmer unit MIFARE®   | Couleur                          | Noir                     |
| Material              | Front plate in technopolymer   | Installation                     | De table                 |
| Alimentation          | Via USB  | Current absorbed by power supply | Max 160 mA a 5V          |
| Interfaces            | USB  | Technologie                      | Transponder RFID-MIFARE® |
| Dimensions LxHxP (mm) | 98x98x100  | Indice de protection             | IP20                     |
| Norme                 | Directive RED 2014/53/UE; Directive RoHS 2011/65/EU + 2015/863; EN 63044-3; EN 63044-5-1; EN 63044-5-2; EN 300 330; EN 301 489-3; EN IEC 63000 |                                  |                          |

### DIMENSIONS



### SYMBOLE TECHNIQUE

**IP**

IP20

### NORMES ET HOMOLOGATIONS

