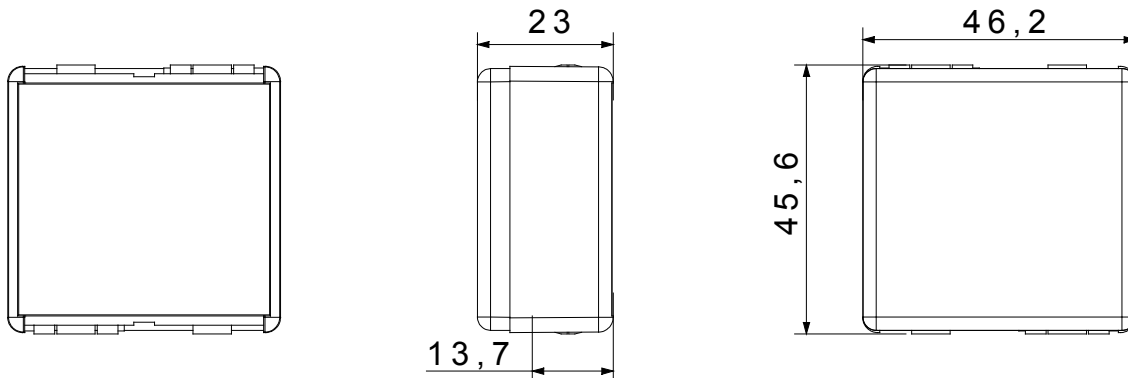




The System modular devices allow the creation of infinite combinations of devices and plates, through a complete range that covers all design, functional and installation needs. Colours and finishes: satin black, elegant and classy. The range includes control units, socket-outlets, breakers, indicators, connectors and devices for the control, safety and comfort of your home.

| | | | |
|-----------------------|------------|-------------------------------|---------------|
| Categoría | Tapa ciega | Color | Negro |
| Descripción | 2 módulos | Norma de referencia | EN 60669-1 |
| Termopresión con bola | 125 °C | Prueba del hilo incandescente | 850 °C |
| N. módulos System | 2 | Material | Tecnopolímero |
| Código Electrocod | 0100 | | |

DIMENSIONAL



SIMBOLOGÍA TÉCNICA



MARCAS/APROBACIONES

