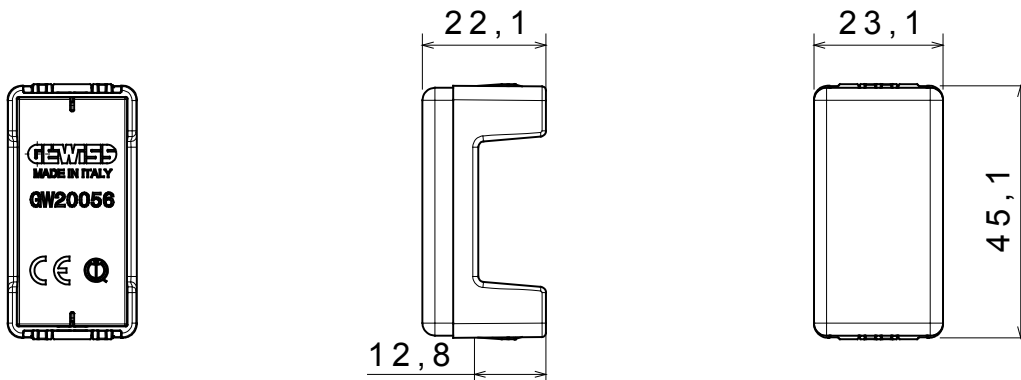




The System modular devices allow the creation of infinite combinations of devices and plates, through a complete range that covers all design, functional and installation needs. Colours and finishes: satin black, elegant and classy. The range includes control units, socket-outlets, breakers, indicators, connectors and devices for the control, safety and comfort of your home.

Categoría	Tapa ciega	Color	Negro
Descripción	1 módulo	Norma de referencia	EN 60669-1
Termopresión con bola	125 °C	Prueba del hilo incandescente	850 °C
N. módulos System	1	Material	Tecnopolímero
Código Electrocod	0100		

DIMENSIONAL



SIMBOLOGÍA TÉCNICA



MARCAS/APROBACIONES

