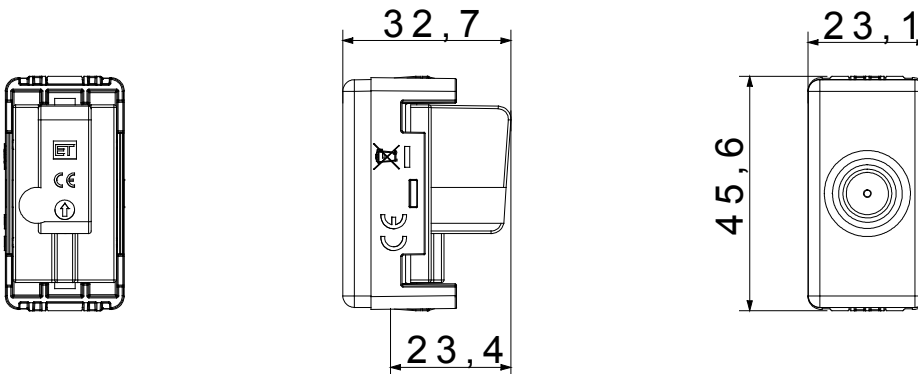




The System modular devices make it possible to create infinite combination between devices and plates, thanks to a complete range that is able to satisfy all design, functional and installation requirements. Colour and finiture: glossy white, bright and versatile
The range includes commands, socket- outlets, protection, indicators, connectors and devices for the control, safety and comfort of your home.

Categoría	Base TV	Descripción	Directa
Tipo	Con paso de intensidad	Color	Blanco
Atenuación	0 dB	Frecuencia	5-2400 MHz
Apantallado	Clase A	Para conector tipo	IEC-Macho
Norma de referencia	EN 60728-4; IEC 61169-2	N. módulos System	1
Fijación de cable	De tornillo	Estructura	Cuerpo metálico en zamak
Material	Tecnopolímero	Código Electrocod	0131

DIMENSIONAL



MARCAS/APROBACIONES

