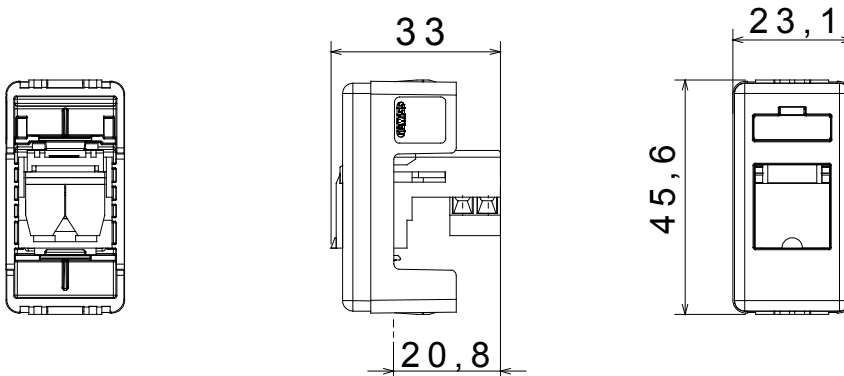




The System modular devices make it possible to create infinite combination between devices and plates, thanks to a complete range that is able to satisfy all design, functional and installation requirements. Colour and finiture: glossy white, bright and versatile
The range includes commands, socket- outlets, protection, indicators, connectors and devices for the control, safety and comfort of your home.

| Categoría | Toma de datos, audio y vídeo | Descripción | RJ11 |
|-------------------|------------------------------|-------------|---------------------|
| Color | Blanco | Norma | - |
| Cable tipo | Par Trenzado | Conexión | Bornes con tornillo |
| N. módulos System | 1 | Material | Tecnopolímero |
| Código Electrocod | 3721 | | |

DIMENSIONAL



MARCAS/APROBACIONES

