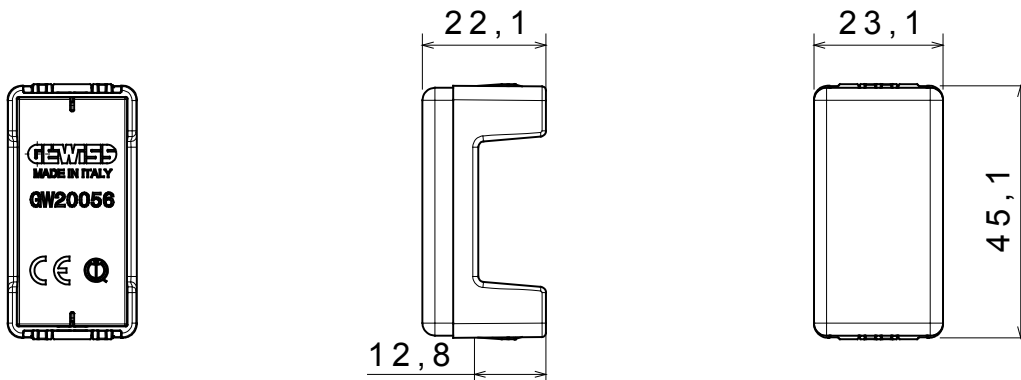




The System modular devices make it possible to create infinite combination between devices and plates, thanks to a complete range that is able to satisfy all design, functional and installation requirements. Colour and finiture: glossy white, bright and versatile
The range includes commands, socket- outlets, protection, indicators, connectors and devices for the control, safety and comfort of your home.

Categoría	Tapa ciega	Color	Blanco
Descripción	1 módulo	Norma de referencia	EN 60669-1
Termopresión con bola	125 °C	Prueba del hilo incandescente	850 °C
N. módulos System	1	Material	Tecnopolímero
Código Electrocod	0100		

DIMENSIONAL



SIMBOLOGÍA TÉCNICA



MARCAS/APROBACIONES

