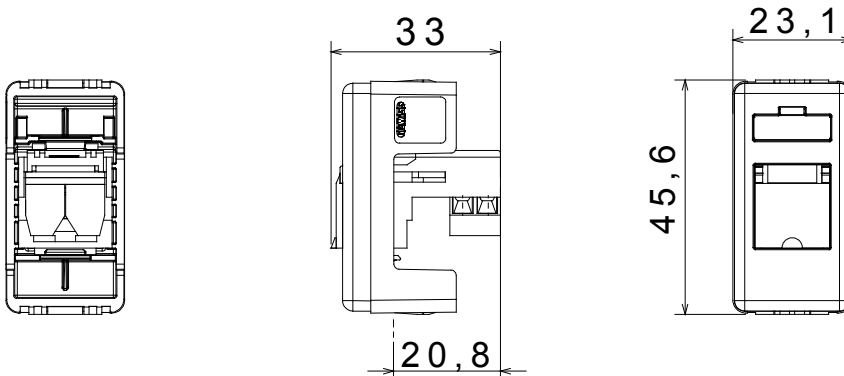




The System modular devices allow the creation of infinite combinations of devices and plates, through a complete range that covers all design, functional and installation needs. Colours and finishes: satin black, elegant and classy. The range includes control units, socket-outlets, breakers, indicators, connectors and devices for the control, safety and comfort of your home.

| Kategorie | Daten- und Audio-/Videodosen | Beschreibung | RJ11 |
|--------------------|------------------------------|--------------|----------------|
| Farbe | Schwarz | Standard | - |
| Typ Kabel | Twisted Pair | Anschluss | Schraubklemmen |
| Anz. SYSTEM Module | 1 | Material | Technopolymer |
| Electrocod | 3722 | | |

Abmessungen



Normen / Richtlinien

