



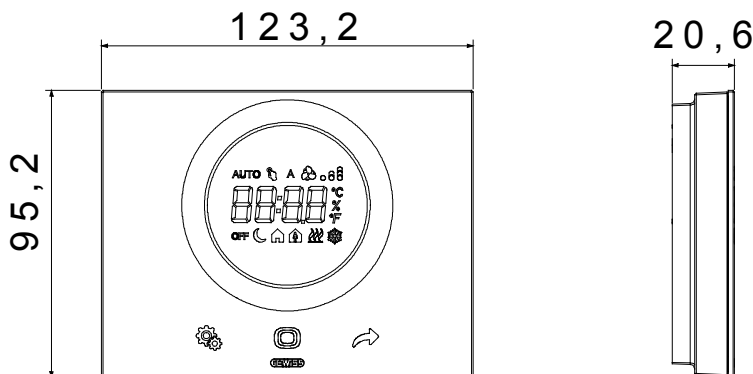
Wall-mounting thermostat to control heating/cooling and humidification/dehumidification systems on the BUS and manage the temperature in manual mode or on 3 levels (comfort, pre-comfort, economy). Control algorithms for 2- or 4-way systems: two points (ON/OFF or 0%-100%), proportional-integral (PWM or continuous adjustment), fan coil (max. 3 speeds or with continuous adjustment 0%-100%). Includes 1 input for external NTC temperature sensor (for room temperature measurement compensation or for underfloor heating protection).

Equipped with a user interface with touch commands (capacitive) on technopolymer plate and backlit display. The thermostat has built-in proximity, temperature and humidity sensors. The device supports KNX Secure. To be configured with ETS software. The thermostat can be combined with KNX flush-mounting timed thermostats or Smart Gateway for local temperature adjustment: in this case, the thermostat acts as a slave by executing the temperature sent by the master. Available a "hotel" operating mode with simplified functionalities and user interface for hotel applications.

Equipped with front plate and with coupling terminal for connection to bus. Wall fixing with wall plugs or screw fixing on rectangular 3 modules boxes (centre distance 83.5 mm). Plate material: technopolymer.

Kategorie	Thermo ICE KNX wall mounting thermostat	Kommunikation	KNX Secure
Farbe	Schwarz	Material	Front plate in technopolymer
Installation	Wandmontage	Spannungsversorgung	110-230V ac - 50/60Hz
Current absorbed by power supply	< 3 W (in stand-by < 1 W)	Schnittstellen	KNX TP1
Current absorbed by KNX bus (mA)	10	Gemessene Größen	Temperature, humidity, one additional input for external NTC temperature sensor
Anzahl Eingangskanäle	1 for external NTC sensor (type: NTC 10K, es. GW 10 800)	Eingangs- spannung	-
Anschlussklemmen	Mit Schrauben	Anschluss feindrätig (mm <sup>2</sup> )	Max 1,5 mm <sup>2</sup>
Anschluss massiv (mm <sup>2</sup> )	Max 1,5 mm <sup>2</sup>	Betriebs- temperatur	-5 ÷ +45 °C
Relative Luftfeuchtigkeit (nicht kondensierend)	Max 93%	Lagertemperatur	-25 ÷ +70 °C
Connection to the KNX bus	KNX bus terminal	Abmessungen BxHxT (mm)	123,2x95,2x20,6
Schutzart	IP20	Norm	Low Voltage Directive 2014/35/EU (LVD) Electromagnetic Compatibility Directive 2014/30/EU (EMC) Directive RoHS 2011/65/EU Directive ERP 2009/125/EU EN 60730-1, EN 60730-2-9

### Abmessungen



### Technische Symbole

**IP**

IP20

