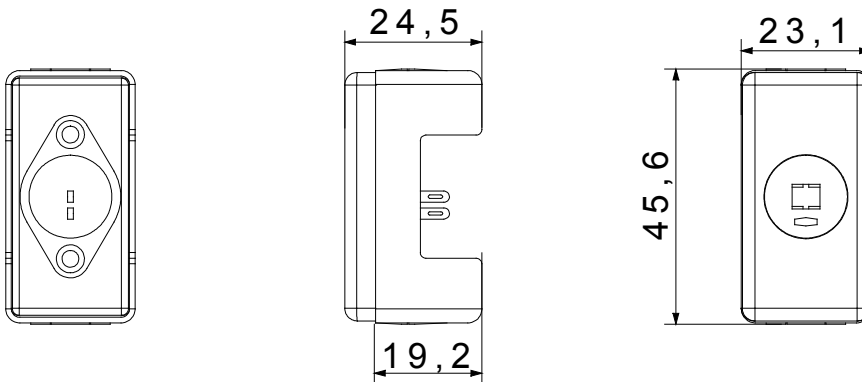




The System modular devices make it possible to create infinite combination between devices and plates, thanks to a complete range that is able to satisfy all design, functional and installation requirements. Colour and finiture: glossy white, bright and versatile  
The range includes commands, socket- outlets, protection, indicators, connectors and devices for the control, safety and comfort of your home.

Kategorie	- Beschreibung	Für Lautsprecher
Für Steckstifte	- Abstand	0 mm
Kugeldruckprüfung	- Glühdrahtprüfung	0 °C
Anschluss feindrähtig (mm <sup>2</sup> )	- Anschluss massiv (mm <sup>2</sup> )	-
Farbe	Weiss	Anz. SYSTEM Module
Kabelfixierung	Lötanschluss	Material
Electrocod	3720	Technopolymer
		1

### Abmessungen



### Technische Symbole



### Normen / Richtlinien

