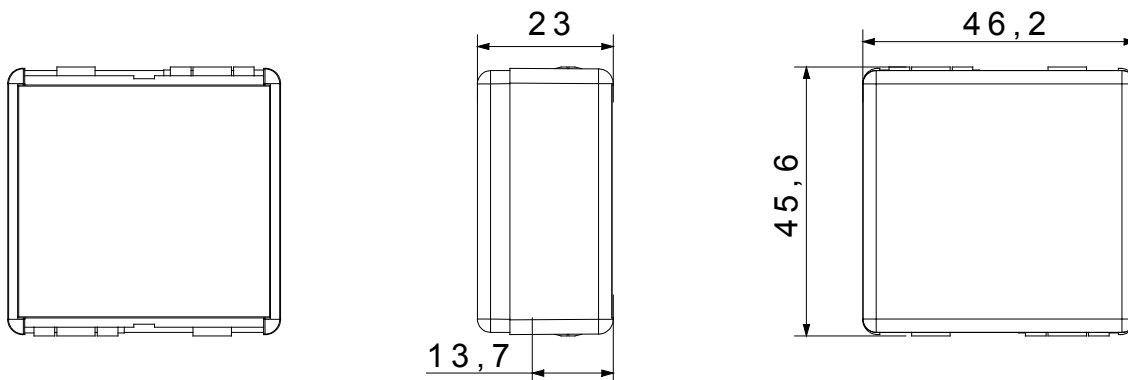




The System modular devices make it possible to create infinite combination between devices and plates, thanks to a complete range that is able to satisfy all design, functional and installation requirements. Colour and finiture: glossy white, bright and versatile
The range includes commands, socket- outlets, protection, indicators, connectors and devices for the control, safety and comfort of your home.

Kategorie	Blindmodul	Farbe	Weiss
Beschreibung	2 Einsätze	Norm	EN 60669-1
Kugeldruckprüfung	125 °C	Glühdrahtprüfung	850 °C
Anz. SYSTEM Module	2	Material	Technopolymer
Electrocod	0100		

Abmessungen



Technische Symbole



Normen / Richtlinien

