



Descripción Interruttore non automatico scatolato
 Código MSXM 1600
 N° polos 4P
 Corriente nominal 1600 A
 Disparador -

ELECTRICAL CHARACTERISTICS

| | |
|---|-------------------|
| Norma de referencia | IEC/EN 60947-2 |
| Categoría de uso | AC-23A, DC-22A |
| Frecuencia nominal (Hz) | 50 / 60 |
| Rated operating voltage (Ue) | 690 Vac - 250 Vdc |
| Tensión nominal de tensión soportada (Uimp) | 8 kV |
| Categoría de sobretensiones | IV |
| Tensión de aislamiento (Ui) | 800 V |
| Thermal regulation | - |
| Magnetic regulation | - |
| Neutral protection | - |
| Total power loss | 225.28 W |
| Rated short-circuit current making capacity (Icm) | 45 |
| Rated short-time withstand current for 0,3s (Icw) | 20 kA |
| I _{dn} regulation | - |
| DT regulation | - |

SERVICE BREAKING CAPACITY (ICU)

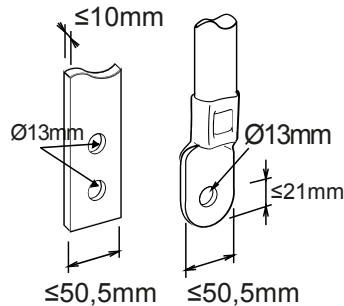
| | | | |
|------------|---|------------|---|
| 220/240Vac | - | 220/240Vac | - |
| 400/415Vac | - | 400/415Vac | - |
| 440Vac | - | 440Vac | - |
| 525Vac | - | 525Vac | - |
| 690Vac | - | 690Vac | - |
| 250Vdc | - | 250Vdc | - |

MECHANICAL CHARACTERISTICS

| | |
|----------------------------------|------------------------------|
| Ejecución | Fijo |
| DIN rail mounting | No |
| Accessorabile con comando motore | Si |
| Compatible interlock | - |
| Terminals supplied | Parte delantera FB extendida |
| Posición de montaje | Cualquier |
| Upline/downline power supply | Si |
| Electrical life (415Vac) | 2.000 cycles |
| Mechanical life | 5.000 cycles |
| Temperatura de empleo | -5°C +65°C |
| Temperatura de almacenaje | -20° +65° |
| Peso (kg) | 32.9 |
| Ancho | 280 mm |
| Altura | 370 mm |
| Profundidad | 140 mm |

RATED BREAKING CAPACITY (ICS)

DIMENSIONAL





Ficha Técnica Producto

GWD9456

Gama MSX

MARCAS/APROBACIONES

