



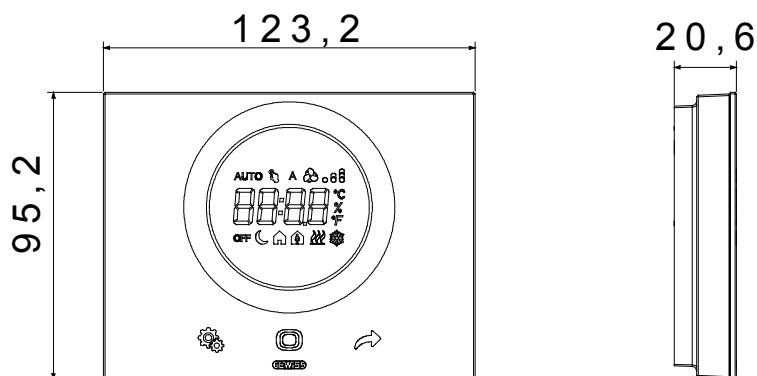
Wall-mounting thermostat to control heating/cooling and humidification/dehumidification systems on the BUS and manage the temperature in manual mode or on 3 levels (comfort, pre-comfort, economy). Control algorithms for 2- or 4-way systems: two points (ON/OFF or 0%-100%), proportional-integral (PWM or continuous adjustment), fan coil (max. 3 speeds or with continuous adjustment 0%-100%). Includes 1 input for external NTC temperature sensor (for room temperature measurement compensation or for underfloor heating protection).

Equipped with a user interface with touch commands (capacitive) on technopolymer plate and backlit display. The thermostat has built-in proximity, temperature and humidity sensors. The device supports KNX Secure. To be configured with ETS software. The thermostat can be combined with KNX flush-mounting timed thermostats or Smart Gateway for local temperature adjustment: in this case, the thermostat acts as a slave by executing the temperature sent by the master. Available a "hotel" operating mode with simplified functionalities and user interface for hotel applications.

Equipped with front plate and with coupling terminal for connection to bus. Wall fixing with wall plugs or screw fixing on rectangular 3 modules boxes (centre distance 83.5 mm). Plate material: technopolymer.

Categoría	Thermo ICE KNX wall mounting thermostat	Comunicación	KNX Secure
Color	Beige natural	Material	Front plate in technopolymer
Instalación	Montaje en pared	Alimentación	110-230 V ac - 50/60 Hz
Current absorbed by power supply	< 3 W (in stand-by < 1 W)	Interface	KNX TP1
Current absorbed by KNX bus (mA)	10	Tamaños medidos	Temperature, humidity, one additional input for external NTC temperature sensor
N. canales de entrada	1 for external NTC sensor (type: NTC 10K, es. GW 10 800)	Tensión entrada	-
Regleta de cableado	De tornillo	Capacidad de apriete cable flexible (mm ²)	Max 1,5 mm ²
Capacidad de apriete cable rígido (mm ²)	Max 1,5 mm ²	Temperatura de funcionamiento	-5 ÷ +45 °C
Humedad relativa (no condensación)	Máx 93%	Temperatura de almacenaje	-25 ÷ +70 °C
Connection to the KNX bus	KNX bus terminal	Dimensiones BxHxP (mm)	123,2x95,2x20,6
Grado de protección	IP20	Norma de referencia	Low Voltage Directive 2014/35/EU (LVD) Electromagnetic Compatibility Directive 2014/30/EU (EMC) Directive RoHS 2011/65/EU Directive ERP 2009/125/EU EN 60730-1, EN 60730-2-9

DIMENSIONAL



SIMBOLOGÍA TÉCNICA

IP

IP20

MARCAS/APROBACIONES

