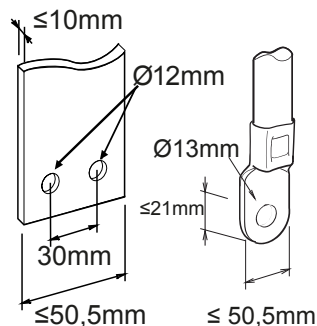




Description Interruttore automatico scatolato
Code MSXE 1600
Nombre de pôles 4P
Courant nominal 1600 A
Déclencheur Électronique

| ELECTRICAL CHARACTERISTICS | | MECHANICAL CHARACTERISTICS | |
|---|--|-----------------------------------|--------------|
| Norme | IEC/EN 60947-2 | Exécution | Fixe |
| Catégorie d'utilisation | B | DIN rail mounting | Non |
| Fréquence nominale (Hz) | 50 / 60 | Accessoriabile con comando motore | Si |
| Rated operating voltage (Ue) | 690 Vac | Compatible interlock | - |
| Tension nominale tenue à l'impulsion (Uimp) | 8 kV | Terminals supplied | RC arrière |
| Catégorie de surtension | IV | Position de montage | Tout |
| Tension d'isolement (Ui) | 800 V | Upline/downline power supply | Si |
| Thermal regulation | 0,4 - 0,5 - 0,63 - 0,8 - 0,9 - 0,95 - 1 x In | Electrical life (415Vac) | 2.000 cycles |
| Magnetic regulation | Electronic LSI | Mechanical life | 5.000 cycles |
| Neutral protection | 50% - 100% x Ir | Température d'utilisation | -5°C +65°C |
| Total power loss | 225.28 W | Température de stockage | -20° +65° |
| Rated short-circuit current making capacity (Icm) | - | Poids (kg) | 35 |
| Rated short-time withstand current for 0,3s (Icw) | 20 kA | Largeur | 280 mm |
| I _{dn} regulation | - | Hauteur | 370 mm |
| DT regulation | - | Profondeur | 140 mm |
| SERVICE BREAKING CAPACITY (ICU) | | RATED BREAKING CAPACITY (ICS) | |
| 220/240Vac | 85 kA | 220/240Vac | 65 kA |
| 400/415Vac | 50 kA | 400/415Vac | 38 kA |
| 440Vac | 45 kA | 440Vac | 34 kA |
| 525Vac | 30 kA | 525Vac | 23 kA |
| 690Vac | 20 kA | 690Vac | 15 kA |
| 250Vdc | - | 250Vdc | - |

DIMENSIONS





Fiche produit

GWD9428

Gamme MSX

NORMES ET HOMOLOGATIONS

