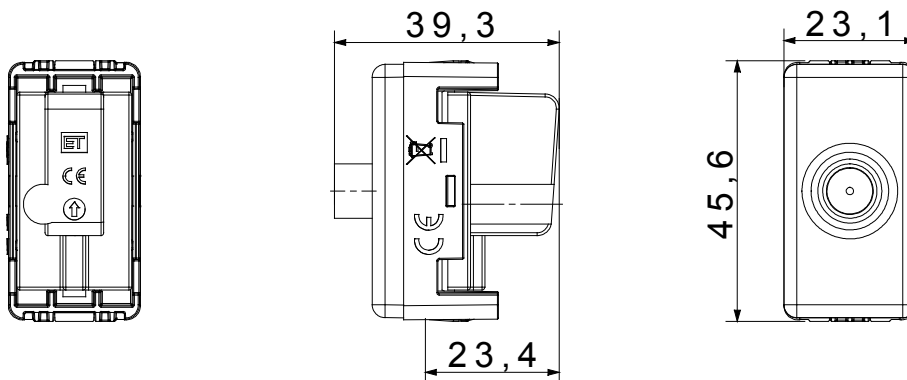




The System modular devices make it possible to create infinite combination between devices and plates, thanks to a complete range that is able to satisfy all design, functional and installation requirements. Colour and finiture: glossy white, bright and versatile
The range includes commands, socket- outlets, protection, indicators, connectors and devices for the control, safety and comfort of your home.

Catégorie	Prise TV/SAT	Description	Directe
Type	Avec passage de courant	Couleur	Blanc
Atténuation	0 dB	Fréquence	5-2500 MHz
Blindage	Classe A	Pour connecteur type	F-Femelle
Norme	EN 60728-4; IEC 61169-24	Nb modules System	1
Fixation câble	À vis	Boîtier	Boîtier en zamak moulé sous pression
Material	Technopolymère	Electrocod	0131

DIMENSIONS



NORMES ET HOMOLOGATIONS

