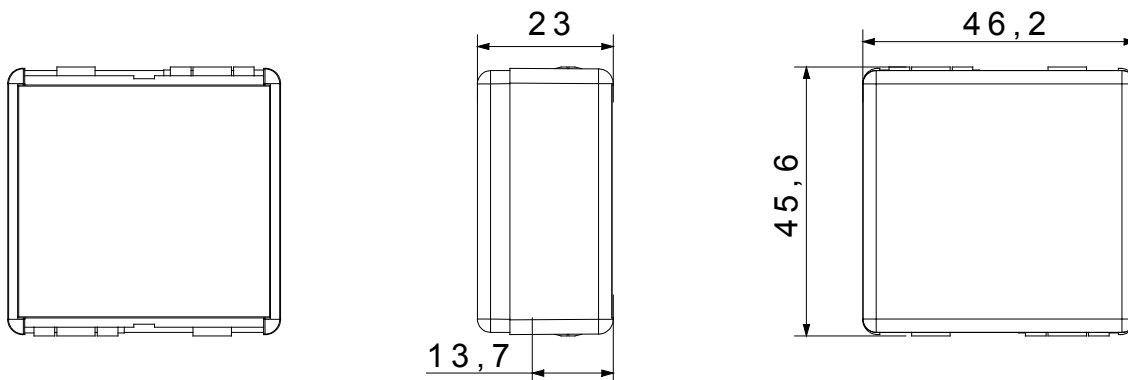




The System modular devices make it possible to create infinite combination between devices and plates, thanks to a complete range that is able to satisfy all design, functional and installation requirements. Colour and finiture: glossy white, bright and versatile
The range includes commands, socket- outlets, protection, indicators, connectors and devices for the control, safety and comfort of your home.

Catégorie	Obturateur	Couleur	Blanc
Description	1 poste (2 modules)	Norme	EN 60669-1
Thermopression avec bille	125 °C	Test du fil incandescent	850 °C
Nb modules System	2	Matière	Technopolymère
Electrocod	0100		

DIMENSIONS



SYMBOLE TECHNIQUE



NORMES ET HOMOLOGATIONS

