



Beschreibung Interruttore non automatico scatolato

Artikelnr. MSXM 1600

Anz. Pole 4P

Bemessungs- strom 1600 A

Auslöser -

ELECTRICAL CHARACTERISTICS

Norm	IEC/EN 60947-2
Kategorie	AC-23A, DC-22A
Bemessungs- frequenz (Hz)	50 / 60
Rated operating voltage (Ue)	690 Vac - 250 Vdc
Bemessungsstoß- spannungsfestigkeit (Uimp)	8 kV
Überspannungs- kategorie	IV
Isolationsspannung (Ui)	800 V
Thermal regulation	-
Magnetic regulation	-
Neutral protection	-
Total power loss	225.28 W
Rated short-circuit current making capacity (Icm)	45
Rated short-time withstand current for 0,3s (Icw)	20 kA
I _{dn} regulation	-
DT regulation	-

SERVICE BREAKING CAPACITY (ICU)

220/240Vac
400/415Vac
440Vac
525Vac
690Vac
250Vdc

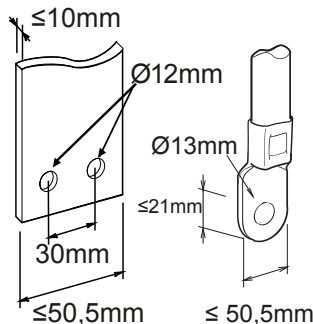
MECHANICAL CHARACTERISTICS

Ausführung	Fest
DIN rail mounting	Nein
Accessoriabile con comando motore	Si
Compatible interlock	-
Terminals supplied	Rückseitige RC
Position Montage	Jeder
Upline/downline power supply	Si
Electrical life (415Vac)	2.000 cycles
Mechanical life	5.000 cycles
Betriebstemperatur	-5°C +65°C
Lagertemperatur	-20° +65°
Gewicht (kg)	32.9
Breite	280 mm
Höhe	370 mm
Tiefe	140 mm

RATED BREAKING CAPACITY (ICS)

220/240Vac	-
400/415Vac	-
440Vac	-
525Vac	-
690Vac	-
250Vdc	-

Abmessungen





Produktdatenblatt

GWD9458

Baureihe MSX

Normen / Richtlinien

