

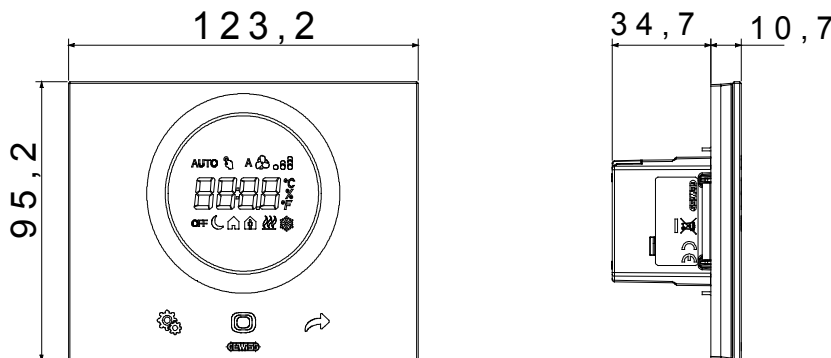
Flush-mounting thermostat for controlling heating/cooling systems via BUS, and manual or 3-level temperature management (comfort, pre-comfort, economy). Control algorithms for two- or four-way systems: two points (ON/OFF or 0%/100%), proportional-integral (PWM or continuous 0%-100%), fan coil (max. 3 speeds with ON/OFF or 0%/100% control). Allows control of humidification and dehumidification systems if connected to an external humidity sensor (e.g. GW1x762H). Has 1 input for potential-free contact (for window contact function, for managing fronts, dimmers, shutters or scenarios); 1 input for NTC external temperature sensor (e.g. protection for underfloor heating) or, alternatively, as a second input for potential-free contact. Equipped with user interface with touch-type (capacitive) controls on glass plate and rear-projection display. The thermostat has integrated proximity and temperature sensors. Configuration is via ETS software.

The thermostat can be combined with flush-mounted KNX timed thermostats or KNX control panels for zoned temperature control: in this case, the thermostat acts as a slave, implementing the temperature profile sent from the master.

Equipped with a coupling terminal for connection to BUS. The thermostat include a front plate, and is designed for screw fastening to either rectangular 3-gang boxes (83.5 mm centre distance) or round/square boxes (60 mm centre distance) equipped with installation columns. Plate materials: glass.

Kategorie	Thermo ICE KNX thermostat	Kommunikation	KNX
Farbe	Weiss	Material	Front plate in glass
Installation	Flush mounting on 3-modules rectangular (GW24403, GW24403PM), round (GW24234, GW24234PM) or square (GW24231) boxes	Spannungsversorgung	12-24V ac/dc
Current absorbed by power supply	Max 4,5 W (12-24Vac); max 3,6 W (12-24Vdc)	Schnittstellen	KNX TP1
Current absorbed by KNX bus (mA)	10	Gemessene Größen	Temperature, one additional input for external NTC temperature sensor
Anzahl Eingangskanäle	2 (in case a NTC sensor is used must be a 10K type, e.g. GW 10 800)	Eingangsspannung	Potential free
Anschlussklemmen	Mit Schrauben	Anschluss feindrätig (mm <sup>2</sup> )	Max 2,5 mm <sup>2</sup>
Anschluss massiv (mm <sup>2</sup> )	Max 2,5 mm <sup>2</sup>	Betriebs- temperatur	-5 ÷ +45 °C
Relative Luftfeuchtigkeit (nicht kondensierend)	Max 93%	Lagertemperatur	-25 ÷ +70 °C
Connection to the KNX bus	KNX bus terminal	Abmessungen BxHxT (mm)	123,2x95,2x10,7
Schutzart	IP20	Norm	Low Voltage Directive 2014/35/EU Electromagnetic Compatibility Directive 2014/30/EU, EN 50491, EN 60669-2-5

### Abmessungen



### Technische Symbole

**IP**

IP20

