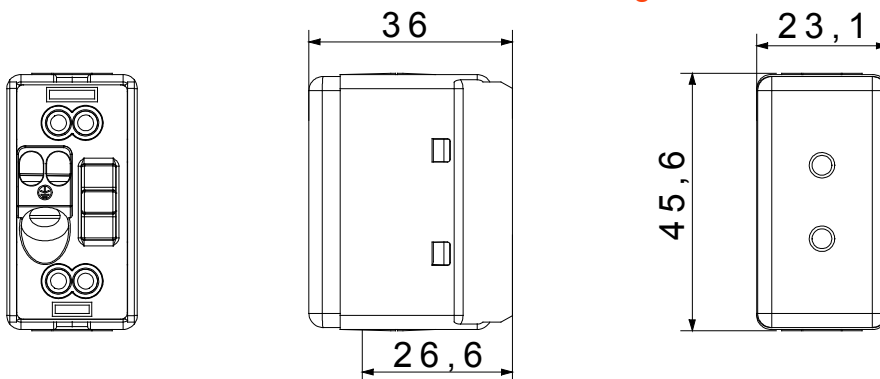


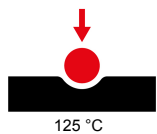
The System modular devices make it possible to create infinite combination between devices and plates, thanks to a complete range that is able to satisfy all design, functional and installation requirements. Colour and finiture: glossy white, bright and versatile
The range includes commands, socket- outlets, protection, indicators, connectors and devices for the control, safety and comfort of your home.

Kategorie	-	Beschreibung	2P - 6A - 24 V
Für Steckstifte	Ø 3 mm	Abstand	12.4 mm
Kugeldruckprüfung	125 °C	Anschluss feindrähtig (mm ²)	min. 0,75 - max. 2x4
Anschluss massiv (mm ²)	min. 0,5 - max. 2x2,5	Farbe	Weiss
Anz. SYSTEM Module	1	Kabelfixierung	Mit Schrauben
Material	Technopolymer	Electrocod	0131

Abmessungen



Technische Symbole



Normen / Richtlinien

