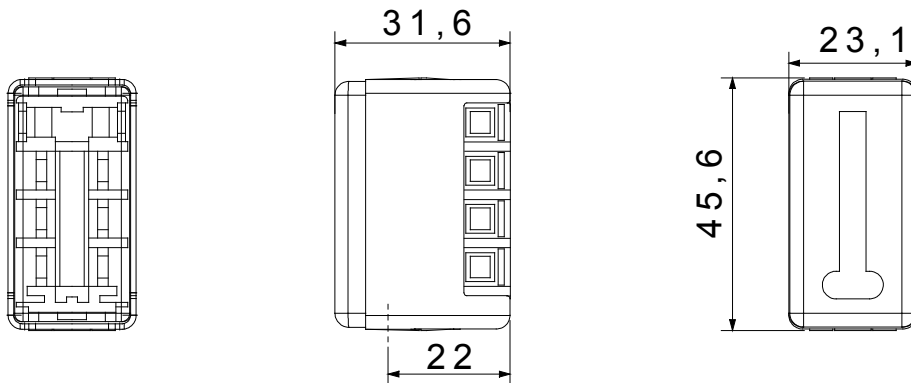




The System modular devices make it possible to create infinite combination between devices and plates, thanks to a complete range that is able to satisfy all design, functional and installation requirements. Colour and finiture: glossy white, bright and versatile
The range includes commands, socket- outlets, protection, indicators, connectors and devices for the control, safety and comfort of your home.

Catégorie	Prises de données et audio/vidéo	Description	Français 8 contacts
Couleur	Blanc	Standard	Français
Câbles type	-	Connexion	Bornes à vis
Nb modules System	1	Material	Technopolymère
Electrocod	3722		

DIMENSIONS



NORMES ET HOMOLOGATIONS

