



SMART [PRO]e 2M is a high-power outdoor and indoor LED floodlight, ideal for lighting medium-sized areas and sports facilities. It can be installed on the wall, ceiling or ground thanks to the galvanised steel bracket which is powder coated in polyester with trivalent passivation and equipped with an adjustable goniometric scale and supplied in kit form. The main body is made in die cast aluminium EN AB 46100, with an integrated passive heat sink, and powder coated polyester frame with trivalent passivation. COB LED technology for high efficacy. Reflector made of metallised PC-HT or anodised and polished aluminium. 4mm thick toughened front glass, silkscreen printed for symmetrical versions or with anti-reflective nanocoating for asymmetrical versions. Anti-ageing silicone gaskets and A2 stainless steel exterior screws. Plastic venting and anti-condensation device. Electrical connection via 5x1mm2 H07RN-F cable. Insulation Class 1. Power supply unit and IP68 connector kit supplied separately. Available with five different types of optics, three types of Correlated Colour Temperature (3000K/4000K/5700K) and two different types of Colour Rendering Index (CRI70, CRI80). Designed to withstand surges up to 6KV (differential mode) and 10KV (common mode), temperature variations from -30°C to +50°C, water and dust penetration up to IP66, and impact up to IK08.

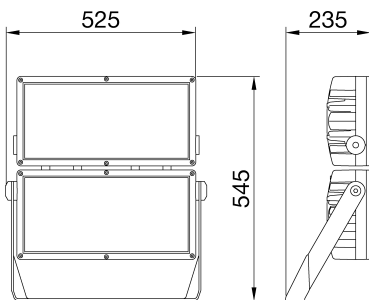
GENERAL INFORMATION

Context	Floodlighting and small- to medium-size sports facilities
Luminaire	LED floodlight luminaire with high lumen power
Application	Indoor / Outdoor
Unique digital code (Datamatrix)	Currently not present
Colour	Graphite grey
Type of light source	LED
System power	600 W
LED Lifetime	L90B10 (Tq+25°C) = 100000h; L80B10 (Tq+25°C) > 150000h
Weight (kg)	15
Warranty	5 years
Stocking temperature	-
Operating temperature	-30°C ÷ +50 °C
MATERIALS	-
Body	Die-cast aluminium
Shield type	Anti-reflective super-transparent 4 mm thick surface glass
Optic	Polished anodised aluminium reflector with 99.99% pure aluminium
Gasket	Anti-ageing silicone
Locking Hook	-
External screw	Stainless steel
Colour	Polyester powder coated with epoxy base coat
STANDARDS AND APPROVALS	-
Classification	-
Device with reduced surface temperature	-
DIN 18032-3 certification	Compliant
IPEA	-
Insulation class	I
IP degree	IP66
Mechanical resistance	IK08

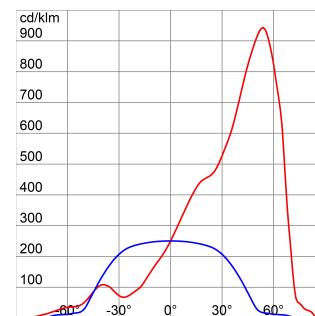
OPTIC AND ILLUMINATING FEATURES

Optic	ALW - Asymmetrical Medium
Unified Glare Rating	G*6 - ULOR = 0%
Lumen output (lm)	78000
Efficacy (lm/W)	130
Colour temperature	5700 K
Colour Rendering Index	CRI>80
Standard Deviation Colour Matching	SDCM = 3
Photobiological Risk Class	RG1
Standard	EN60598-1; EN60598-2-5; IEC62778; EN13201
ELETRICAL AND LIGHTING FEATURES	-
Supply voltage	See external supply unit
Rated frequency (Hz)	See external supply unit
Driver	Included
Driver failure rate	See external supply unit
Overvoltage protection	See external supply unit
Control System	See external supply unit
INSTALLATION AND MAINTENANCE	-
Mounting and installation	High-mast lighting - Wall mounting - Ground mounting
Tilt	Rotation on bracket with integrated goniometer
Wiring	Watertight connector between floodlight and power supply - to be ordered separately
Fixing	Bracket
Light source replaceability	By professional
Controlgear replaceability	-
Driver Box	External
Maximum surface exposed to the wind	0,222 m2

DIMENSIONAL



PHOTOMETRIC DISTRIBUTION



Smart [PRO]e

TECHNICAL SYMBOLOGY



IP
IP66

IK
IK08

STANDARDS/APPROVALS

