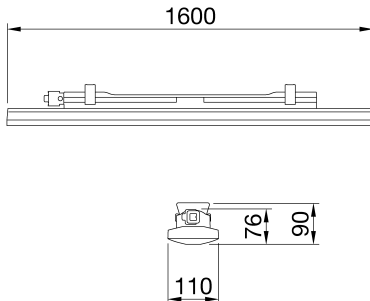




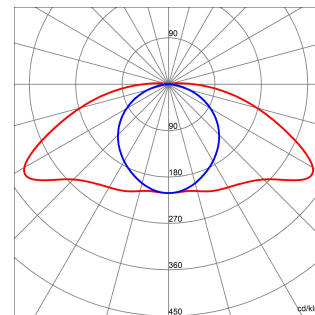
Smart [3] Plus is an IP66/69 ceiling light with LED Flip Type without wire boring, available in 3000K, 4000K, 5700K, with CRI ≥80 and ≥90. IK08 body in self-extinguishing polycarbonate RAL7035, for industrial applications and ideal for production areas, warehouses, and logistics areas. Can replace high flux and lowbay fluorescent devices up to 10,000lm. Available in sizes 1200, 1600mm, powers from 38W to 63W, flows from 4,000lm to 10,000lm, with integrated On/Off or DALI power and 3 different optical solutions, Transparent, Opal and Transparent screen with medium-beam optics complete with TIR lens made of PMMA. The version with through wiring has pre-wired mechanical and electrical components, with a maximum of 25 devices installed in a continuous row. It is possible to install the suspension and wall appliance, accessories bracket GW with inclination of 30° or 45° on the vertical axis. An integrated DALI emergency kit version is available.

GENERAL INFORMATION		OPTIC AND ILLUMINATING FEATURES	
Context	Lighting of warehouses, indoor parking and industrial production rooms	Optic	Microprismatic transparent
Luminaire Application	LED fixture for general lighting Internal	Unified Glare Rating	-
Unique digital code (Datamatrix)	Datamatrix	Lumen output (lm)	6600 (550 Em.)
Colour	Grey RAL 7035	Efficacy (lm/W)	120
Type of light source	LED	Colour temperature	5700 K
System power	50W (+5W Emerg.)	Colour Rendering Index	CRI>80
LED Lifetime	L90B10(Tq25°C)=50.000h; L80B10(Tq25°C)=100.000h; L80B10(Tq50°C)=94.000h	Standard	EN60598-1; IEC 62778; IEC62471
Weight (kg)	4.4	ELECTRICAL AND LIGHTING FEATURES	
Warranty	5 years	Supply voltage	220 - 240 V
Stocking temperature	-25 +80 °C	Rated frequency (Hz)	50/60 Hz
Operating temperature	-25 +50 °C	Driver	Included
MATERIALS		Driver failure rate	F10 = 100.000h Tq25°C
Body	Polycarbonate	Overvoltage protection	DM 1KV / CM 2KV
Shield type	UV stabilised polycarbonate	Control System	DALI
Optic	Integrated in the screen	INSTALLATION AND MAINTENANCE	
Gasket	CNC deposited sealant	Mounting and installation	Ceiling - Wallmounting - Suspension
Locking Hook	-	Tilt	With fixing bracket
External screw	-	Wiring	With GW connect watertight connector
Colour	RAL7035 colored PC paste	Fixing	Stainless steel support
STANDARDS AND APPROVALS		Light source replaceability	Non-replaceable
Classification	KITE MARK (Emergency KIT)	Controlgear replaceability	Non-replaceable
Device with reduced surface temperature	Yes	Driver Box	Built-in
DIN 18032-3 certification	Not available	Maximum surface exposed to the wind	-
IPEA	-	-	-
Insulation class	II	-	-
IP degree	IP65	-	-
Mechanical resistance	IK08	-	-
Glow Wire Test	850 °C	-	-

DIMENSIONAL



PHOTOMETRIC DISTRIBUTION



TECHNICAL SYMBOLOGY



IP
IP65

IK
IK08

GWT
850 °C



Product Data Sheet
GWS3325AB857

SMART [3] PLUS

STANDARDS/APPROVALS

