



ELIA FL is a LED outdoor floodlight available in low, medium and high power versions for lighting external industrial areas, such as car parks and walkways or driveways. It can be mounted on surfaces, ceilings or on the ground using the adjustable steel bracket supplied with the device, or in the pole head version, courtesy of the dedicated accessory for poles with a diameter of up to 61mm. Crafted from black powder-coated die-cast aluminium, it is available in four sizes and powers, with integrated power supply in the On/Off or DALI options, three types of optic (30°, 60° and asymmetrical) with a colour temperature of 4,000K (neutral white) and a colour rendering index of more than 80. Tough and durable, ELIA FL has been designed to withstand surges of up to 10KV and temperature variations from -30 °C to + 50 °C, and offers protection from water and dust penetration of up to level IP66 and from shocks and impacts of up to level IK08. ELIA FL is quick and easy to install thanks to its limited weight and adjustable bracket.

GENERAL INFORMATION

Context	Industry, Logistic, Façade, Sport
Luminaire	LED luminaire with small, mid and high lumen power
Application	Indoor / Outdoor
Unique digital code (Datamatrix)	Currently not present
Colour	Black
Type of light source	LED
System power	200 W
LED Lifetime	L80B50 (Tq25°) = 89.000h
Weight (kg)	6.3
Warranty	5 years
Stocking temperature	-40° +85°
Operating temperature	-30° +50°

MATERIALS

Body	Die-cast aluminium
Shield type	Flat silked tempered glass 4mm thick with Gewiss logo

Optic	With high efficiency optic system
-------	-----------------------------------

Gasket	-
Locking Hook	-
External screw	Stainless steel
Colour	Powder coating

STANDARDS AND APPROVALS

Classification	-
Device with reduced surface temperature	-
DIN 18032-3 certification	-
IPEA	-
Insulation class	I
IP degree	IP66
Mechanical resistance	IK08
Glow Wire Test	750 °C

OPTIC AND ILLUMINATING FEATURES

Optic	Asymmetrical
Unified Glare Rating	ULOR = 0%

Lumen output (lm)	26000
Efficacy (lm/W)	130

Colour temperature	4000 K
Colour Rendering Index	CRI 80
Standard Deviation Colour Matching	SDCM = 5
Photobiological Risk Class	RG0
Standard	-

ELETRICAL AND LIGHTING FEATURES

Supply voltage	100-240 V
Rated frequency (Hz)	50 / 60
Driver	Included
Driver failure rate	F10 = 80.000h Tq25°C
Overvoltage protection	Overvoltage protection 10-6kV

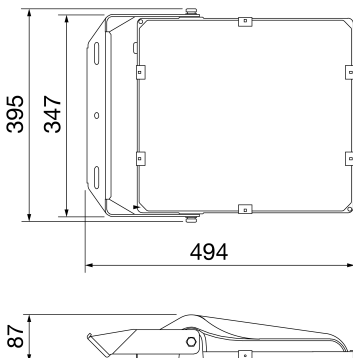
Control System

Control System	ON OFF
----------------	--------

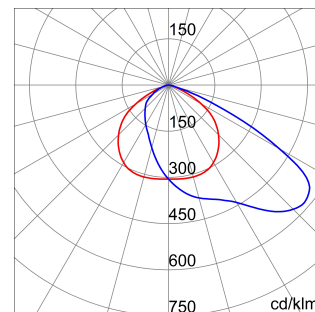
INSTALLATION AND MAINTENANCE

Mounting and installation	Ceiling - Wall - Floor
Tilt	With adjustable bracket assembled
Wiring	With power cable
Fixing	-
Light source replaceability	By professional
Controlgear replaceability	By professional
Driver Box	Built-in
Maximum surface exposed to the wind	0.15 m²

DIMENSIONAL



PHOTOMETRIC DISTRIBUTION



TECHNICAL SYMBOLOGY



IP
IP66

IK
IK08

GWT
750 °C



Product Data Sheet
GWF1100VC840

ELIA FL

STANDARDS/APPROVALS

