



Smart [3] is a watertight fixture IP66/69 with Flip Type LED without wire bonding, available in 3000K,4000K,5700K, with CRI ≥80. IK08 body in RAL7035 colored self-exhausting polycarbonate, for industrial applications and ideal for production areas, warehouses, logistics areas and design to replace fluorescent devices and lowbay up to 6,500lm. Available in sizes 800, 1200, 1600mm, powers from 18W to 58W, flux range from 1.700lm to 6.500lm, with integrated Power On/Off or DALI and 2 different optical solutions UV-stabilized self-extinguishing polycarbonate, in opal or transparent finish. The version with passing wiring has mechanical and electrical connection components prewired, with up to 25 fixtures installed in a continuous row. The device can be hung or wall mounted and is available a GW bracket accessories with a tilt of 30° or 45° on the vertical axis. Available also with an emergency kit version.

### GENERAL INFORMATION

|                                         |                                                                        |
|-----------------------------------------|------------------------------------------------------------------------|
| Context                                 | Lighting of warehouses, indoor parking and industrial production rooms |
| Luminaire                               | LED fixture for general lighting                                       |
| Application                             | Internal                                                               |
| Unique digital code (Datamatrix)        | Datamatrix                                                             |
| Colour                                  | Grey (RAL 7035)                                                        |
| Type of light source                    | LED                                                                    |
| System power                            | 27 W                                                                   |
| LED Lifetime                            | L90B10(Tq25°C)=45.000h; L80B10(Tq25°C)=92.000h; L80B10(Tq50°C)=81.000h |
| Weight (kg)                             | 1.5                                                                    |
| Warranty                                | 5 years                                                                |
| Stocking temperature                    | -25 +80 °C                                                             |
| Operating temperature                   | -25 +50 °C                                                             |
| <b>MATERIALS</b>                        |                                                                        |
| Body                                    | Polycarbonate                                                          |
| Shield type                             | UV stabilised polycarbonate                                            |
| Optic                                   | Integrated in the screen                                               |
| Gasket                                  | CNC deposited sealant                                                  |
| Locking Hook                            | -                                                                      |
| External screw                          | -                                                                      |
| Colour                                  | RAL7035 colored PC paste                                               |
| <b>STANDARDS AND APPROVALS</b>          |                                                                        |
| Classification                          | -                                                                      |
| Device with reduced surface temperature | Yes                                                                    |
| DIN 18032-3 certification               | Not available                                                          |
| IPEA                                    | -                                                                      |
| Insulation class                        | II                                                                     |
| IP degree                               | IP66/IP69                                                              |
| Mechanical resistance                   | IK08                                                                   |
| Glow Wire Test                          | 850 °C                                                                 |

### OPTIC AND ILLUMINATING FEATURES

|                                    |                            |
|------------------------------------|----------------------------|
| Optic                              | Microprismatic transparent |
| Unified Glare Rating               | UGR ≤ 25 (4H/4H)           |
| Lumen output (lm)                  | 3200                       |
| Efficacy (lm/W)                    | 119                        |
| Colour temperature                 | 3000 K                     |
| Colour Rendering Index             | CRI>80                     |
| Standard Deviation Colour Matching | SDCM = 3                   |
| Photobiological Risk Class         | RG0                        |

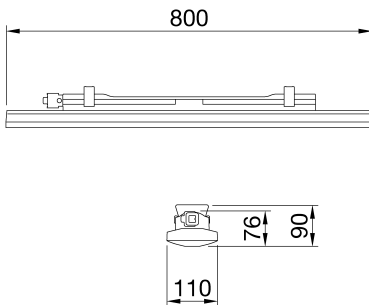
### ELETRICAL AND LIGHTING FEATURES

|                        |                                |
|------------------------|--------------------------------|
| Standard               | EN60598-1; IEC 62778; IEC62471 |
| Supply voltage         | 220 - 240 V                    |
| Rated frequency (Hz)   | 50/60 Hz                       |
| Driver                 | Included                       |
| Driver failure rate    | F10 = 100.000h Tq25°C          |
| Overvoltage protection | DM 1kV / CM 2kV                |
| Control System         | Through wiring - DALI          |

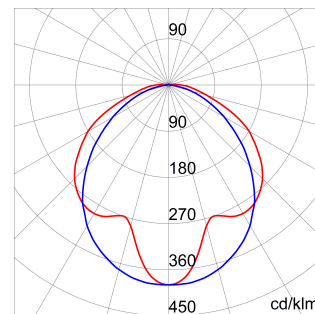
### INSTALLATION AND MAINTENANCE

|                                     |                                      |
|-------------------------------------|--------------------------------------|
| Mounting and installation           | Ceiling - Wallmounting - Suspension  |
| Tilt                                | With fixing bracket                  |
| Wiring                              | With GW connect watertight connector |
| Fixing                              | Stainless steel support              |
| Light source replaceability         | Non-replaceable                      |
| Controlgear replaceability          | Non-replaceable                      |
| Driver Box                          | Built-in                             |
| Maximum surface exposed to the wind | -                                    |

### DIMENSIONAL



### PHOTOMETRIC DISTRIBUTION



### TECHNICAL SYMBOLOGY



**IP**  
IP66/IP69

**IK**  
IK08

**GWT**  
850 °C



Product Data Sheet  
GWS3218TLD30K

SMART [3]

STANDARDS/APPROVALS

