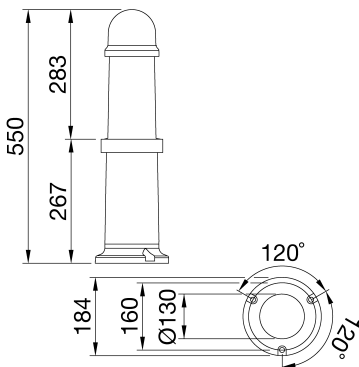




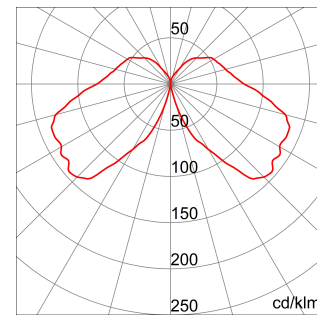
Pole style lighting apparatus for residential areas. Characterized by the shielding of the light source, it hosts LED sources. Available in two different, small sizes (h = 473 mm and 550 mm). Sober and elegant design, with a newly developed internal, transparent diffuser that conveys the light emission towards the ground, optimizing the flux and avoiding upwards light dispersion. The fixing means allow for a fast and safe maintenance.

Lamp power	12 W	Lamp	DR
Lamp holder	E27	Colour	BlueGreen
No. of lamps	1	Glow Wire Test	650 °C
Insulation class	II	IP degree	IP55
Mechanical resistance	IK10	Voltage	230 V - 50 Hz
Application	External	Light pollution	25%
Efficiency class of integrated LEDs	D ÷ A+	Type of light source	A+
Warranty	Can be extended	Electrocod	2442

DIMENSIONAL



PHOTOMETRIC DISTRIBUTION



TECHNICAL SYMBOLOGY

GWT
650 °C



IP
IP55

IK
IK10



STANDARDS/APPROVALS

