



SMART [PRO] 2.0 is a high power outdoor and indoor LED projector, suitable for lighting large areas and sports facilities.

It can be installed on the wall, ceiling or ground thanks to the polyester powder coated galvanised steel bracket with trivalent passivation, equipped with adjustable goniometric scale and supplied in a kit. The body is fabricated in aluminium die casting

EN AB 46100, with integrated passive heat dissipation, powder-coated polyester paint with trivalent passivation. PCB metal core with CSP LED.

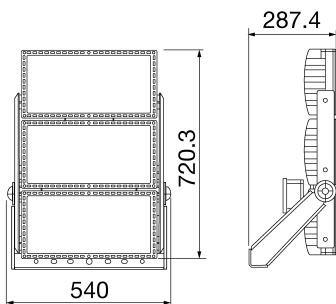
Reflector made of metallic HT PC or anodised and polished aluminium. Hardened front glass with 4mm thickness, anti-ageing silicone seals and A2 stainless steel exterior screws. Bracket screws with GEOMET® treatment. Plastic venting and anti-condensation device. Insulation class 1. Remote power supply unit in DALI or DMX options, multiple electrical connection kits, supplied separately.

Available with nine different types of optics, three types of Colour Temperature (3,000/4,000K/5,700K) and three different types of Color Rendering Index (CRI>70, CRI>80, CRI>90).

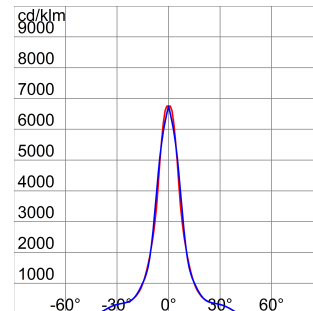
Designed to withstand surges up to 5KV (RCCB mode) and 10KV (common mode), temperature variations from -30°C to +50°C, water and dust penetration up to IP66 protection grade and shockproof up to IK08 grade.

| GENERAL INFORMATION | | OPTIC AND ILLUMINATING FEATURES | |
|---|---|-------------------------------------|---|
| Context | Sport, Big Areas | Optic | C4 - Circular 15° |
| Luminaire | LED luminaire with mid and high lumen power | Unified Glare Rating | G*6 - ULOR = 0 |
| Application | Indoor / Outdoor | Lumen output (lm) | 122700 |
| Unique digital code (Datamatrix) | Currently not present | Efficacy (lm/W) | 126 |
| Colour | Graphite grey | Colour temperature | 5700 K |
| Type of light source | LED | Colour Rendering Index | CRI>70 |
| System power | 970 W | Standard Deviation Colour Matching | SDCM = 5 |
| LED Lifetime | L90B10(Tq25°C)=40.000h; L80B10 (Tq25°C)=90.000h | Photobiological Risk Class | - |
| Weight (kg) | 29 | Standard | EN60598-1; EN60598-2-5; IEC 62778; IEC 62471; EN13201 |
| Warranty | 5 years | ELETRICAL AND LIGHTING FEATURES | |
| Stocking temperature | - | Supply voltage | - |
| Operating temperature | -30°C ÷ +50 °C | Rated frequency (Hz) | - |
| MATERIALS | | Driver | To be ordered separately |
| Body | Die-cast aluminium - | Driver failure rate | See external supply unit |
| Shield type | Flat tempered glass 4mm | Overvoltage protection | See external supply unit |
| Optic | Polished quartz and metallized PC HT reflector | Control System | See external supply unit |
| Gasket | Anti-aging silicone | INSTALLATION AND MAINTENANCE | |
| Locking Hook | Hexagonal metric screws | Mounting and installation | High-mast lighting - Wall mounting - Ground mouting |
| External screw | Stainless steel | Tilt | Rotation on bracket with integrated goniometer |
| Colour | Polyester powder coated | Wiring | Watertight connector |
| STANDARDS AND APPROVALS | | Fixing | Bracket |
| Classification | - | Light souce replaceability | By professional |
| Device with reduced surface temperature | No | Controlgear replaceability | - |
| DIN 18032-3 certification | Available | Driver Box | External |
| IPEA | - | Maximum surface exposed to the wind | 0,333 m2 |
| Insulation class | I | - | - |
| IP degree | IP66 | - | - |
| Mechanical resistance | IK08 | - | - |
| Glow Wire Test | - | - | - |

DIMENSIONAL



PHOTOMETRIC DISTRIBUTION



TECHNICAL SYMBOLOGY



IP
IP66

IK
IK08

GWT
-

STANDARDS/APPROVALS

