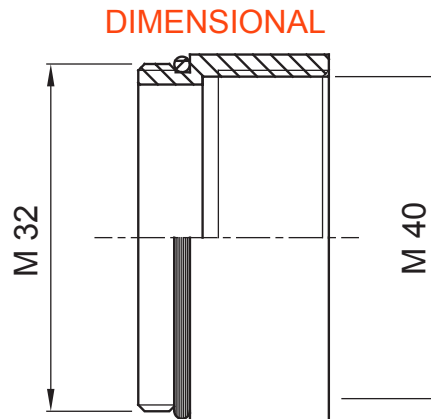


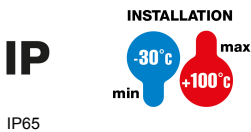


Systems of accessories for electrical installations used for residential, tertiary and industrial applications. The system consists of fasteners for pipes and cables, cable fittings, accessories for rigid pipes (RK Series) and flexible conduit (DF Series). The system include also a wide variety of cable ties (52FS Range) and terminal blocks (44 Range).

IP degree	IP65	Material	Nickel-plated brass
Description	Extension	Type of pitch	M32-M40
Male thread	M32	Female thread	M40
Operating temperature	-30 +100 °C	Electrocod	3651



### TECHNICAL SYMBOLOGY



### STANDARDS/APPROVALS

