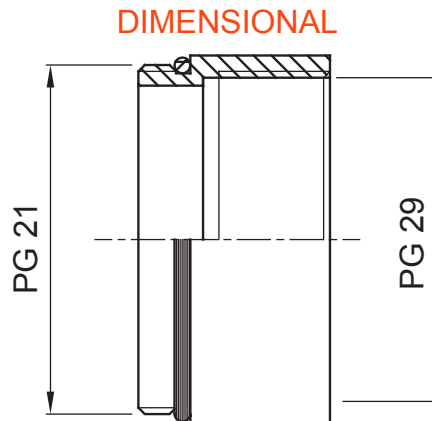




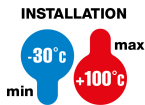
Systems of accessories for electrical installations used for residential, tertiary and industrial applications. The system consists of fasteners for pipes and cables, cable fittings, accessories for rigid pipes (RK Series) and flexible conduit (DF Series). The system include also a wide variety of cable ties (52FS Range) and terminal blocks (44 Range).

IP degree	IP65	Material	Nickel-plated brass
Description	Extension	Type of pitch	PG21-PG29
Male thread	PG21	Female thread	PG29
Operating temperature	-30 +100 °C	Electrocod	3651



### TECHNICAL SYMBOLOGY

**IP**



IP65

### STANDARDS/APPROVALS

