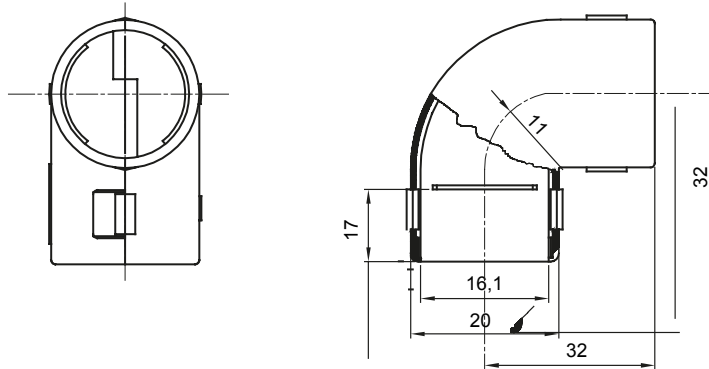




Routing components for rigid protective conduits with IP40 and IP67 protection degree.

| | | | |
|-----------------|---------------|------------|-------|
| Colour | Grey RAL 7035 | IP degree | IP40 |
| Conduits Ø (mm) | 16 | Electrocod | 21221 |

DIMENSIONAL



TECHNICAL SYMBOLOGY

IP

IP40

STANDARDS/APPROVALS

