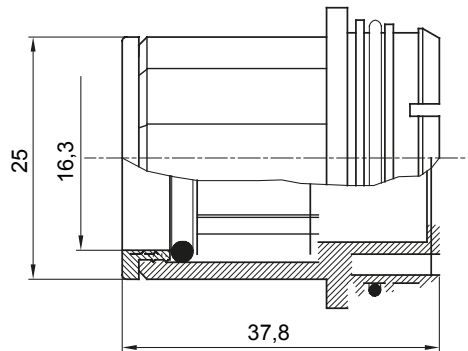
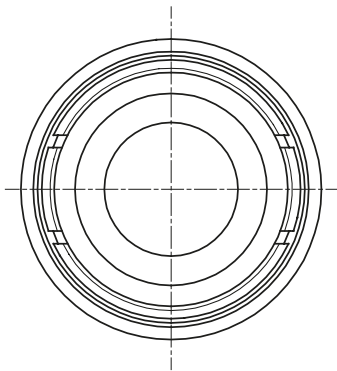




Routing components for rigid protective conduits with IP40 and IP67 protection degree.

| | | | |
|-----------------|---------------|-----------------|--------------|
| Colour | Grey RAL 7035 | Characteristics | Halogen free |
| Conduits Ø (mm) | 16 | Electrocod | 21221 |

DIMENSIONAL



TECHNICAL SYMBOLOGY



STANDARDS/APPROVALS

