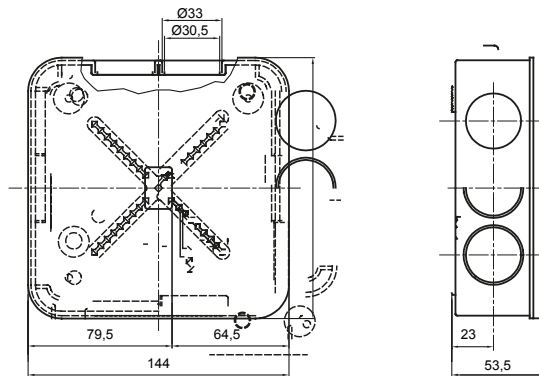




Routing components for rigid protective conduits with IP40 and IP67 protection degree.

Colour	Grey RAL 7035	Outer dim. LxHxD (mm)	140x140x53
IP degree	IP54	Characteristics	Halogen free
Accessories supplied	4 caps	Description	QX10-10 inputs
Electrocod	21221		

### DIMENSIONAL



### TECHNICAL SYMBOLOGY

**IP**

**HF**  
HALOGEN FREE

IP54

### STANDARDS/APPROVALS

