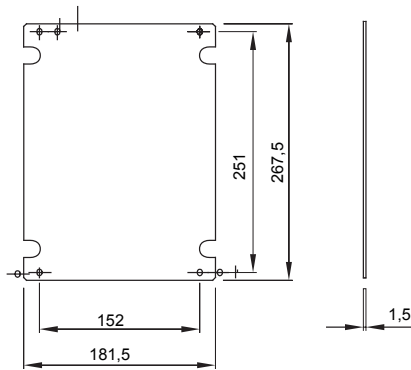


For boards LxH (mm)	236x316	For boards	44 CEP
Type of material	Galvanized metal	Electrocod	1320

DIMENSIONAL



STANDARDS/APPROVALS

