



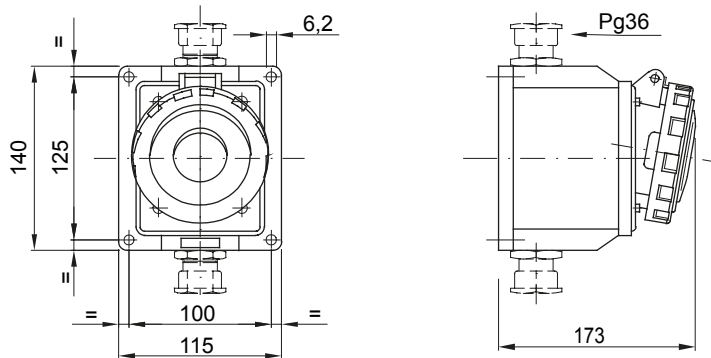
A range of trailing and fixed plugs and socket-outlets for industrial use, complying with the dimensional and performance standards unified at International level (IEC 60309) and assimilated by the European Standards (EN 60309) and Italian Standards (CEI 23-12). Socket-outlets and plugs with a rated current of 63 and 125A are equipped with an extra pilot contact (CP) for creating an electric interlock. The range is completed with 90° fixed plugs and 10° and 90° fixed socket-outlets. Sleeves and pins are obtained from solid brass bar, type Pt. CuZn40Pb2 (Cu 58%, Zn 40%, Pb 2%); anti-loosening terminals with unlosable screws, and built-in cable clamp with anti-abrasion cable gland.

|                            |            |                              |  |
|----------------------------|------------|------------------------------|--|
| Colour                     | Red        | Rated current (A)            | 63   |
| IP degree                  | IP67       | No. of poles                 | 2P+E   |
| Mechanical resistance      | IK08       | Reference h                  | 9  |
| Rated voltage              | 380-415 V  | Type                         | 10° angled surface-mounting socket-outlet                              |
| Frequency                  | 50/60 Hz   | Terminal tightening capacity | 6-16mm <sup>2</sup> flexible cables - 6-25mm <sup>2</sup> rigid cables |
| Operating temperature      | -25 +55 °C | Type of wiring               | With screw   |
| Electrocod                 | 2211       | Glow wire test               | 850 °C (active parts) - 650 °C (passive parts)                         |
| Total number of operations | > 2000     | Breaking capacity at 1.1 Un  | 79 A   |
| Insulation resistance      | > 10 MΩ    | Thermo-pressure with ball    | 125 °C (active parts) - 80 °C (passive parts)                          |

#### BEHAVIOUR WITH CHEMICAL AND ATMOSPHERIC AGENTS

| Saline solution | Acids         |                    | Bases              |           | Solvents  |           |           |            | Mineral oil | UV rays   |
|-----------------|---------------|--------------------|--------------------|-----------|-----------|-----------|-----------|------------|-------------|-----------|
|                 | Concentrated  | Diluted            | Concentrated       | Diluted   | Hexane    | Benzol    | Acetone   | Alcohol    |             |           |
| Resistant       | Not resistant | Limited resistance | Limited resistance | Resistant | Resistant | Resistant | Resistant | Resistente | Resistant   | Resistant |

#### DIMENSIONAL



#### TECHNICAL SYMBOLOGY

**IP**

IP67

**IK**

IK08



-25 +55 °C



With screw

**GWT**

850 °C (active parts) - 650 °C (passive parts)    125 °C (active parts) - 80 °C (passive parts)



125 °C (active parts) - 80 °C (passive parts)

#### STANDARDS/APPROVALS

