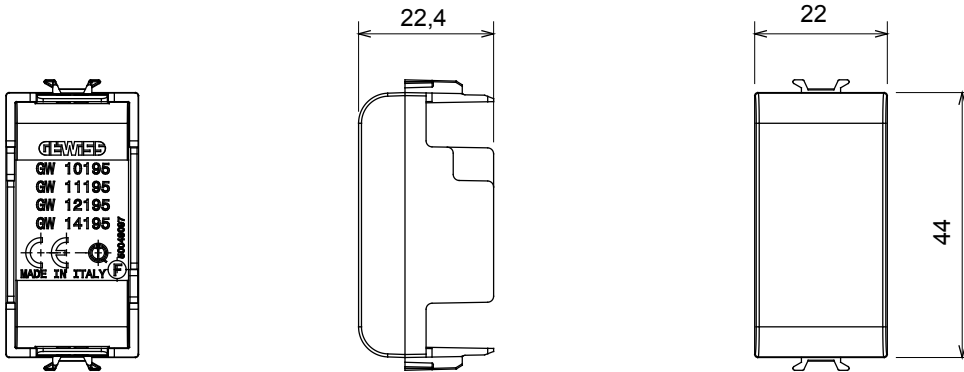




Accessory for ChoruSmart connected devices: allows you to install the retractable devices in the supports.

Description	1 module	Category	Blanking module
Colour	Natural satin beige	Material	Technopolymer
Symbol	Radio frequency	Suitable for	Contacts interfaces, Zigbee actuators
Thermo-pressure with ball	125 °C	Glow Wire Test	850 °C
Standard	EN 60669-1	No. modules	1
Electrocod	0100		

DIMENSIONAL



TECHNICAL SYMBOLOGY



STANDARDS/APPROVALS

